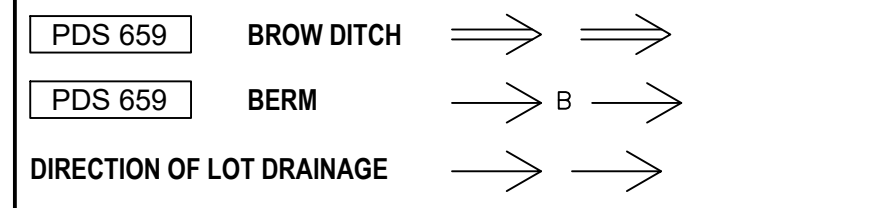


By using these standard plans, the user agrees to release the City of Vista from any and all claims, liabilities, suits, and demands on account of any injury, damage, or loss to persons or property, including injury or death, or economic losses, arising out of the use of these construction documents. The use of these plans does not eliminate or reduce the user's responsibility to verify any and all information.

By using these standard plans, the user agrees to release the County of San Diego from any and all claims, liabilities, suits, and demands on account of any injury, damage, or loss to persons or property, including injury or death, or economic losses, arising out of the use of these construction documents. The use of these plans does not eliminate or reduce the user's responsibility to verify any and all information.

BMP LEGEND



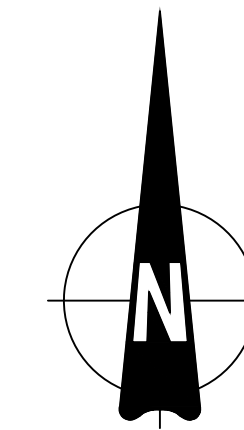
- MATERIALS & WASTE MANAGEMENT BMPs:**
- WM-1 MATERIAL DELIVERY & STORAGE
 - WM-4 SPILL PREVENTION AND CONTROL
 - WM-8 CONCRETE WASTE MANAGEMENT
 - WM-5 SOLID WASTE MANAGEMENT
 - WM-9 SANITARY WASTE MANAGEMENT
 - WM-6 HAZARDOUS WASTE MANAGEMENT

- TEMPORARY RUNOFF CONTROL BMPs:**
- SS-2 PRESERVATION OF EXISTING VEGETATION
 - SS-3 BONDED OR STABILIZED FIBER MATRIX (WINTER)
 - SS-4 HYDROSEEDING (SUMMER)
 - SS-6 / SS-8 STRAW OR WOOD MULCH
 - SS-7 PHYSICAL STABILIZATION (WINTER)
 - SS-10 ENERGY DISSIPATOR
 - SC-1 SILT FENCE
 - SC-2 / PDS 659 SEDIMENT / DESILTING BASIN
 - SC-5 FIBER ROLLS
 - SC-6 / SC-8 GRAVEL OR SAND BAGS
 - SC-7 STREET SWEEPING AND VACUUMING
 - SC-10 STORM DRAIN INLET PROTECTION
 - NS-2 DEWATERING FILTRATION
 - TC-1 STABILIZED CONSTRUCTION ENTRANCE
 - TC-2 CONSTRUCTION ROAD STABILIZATION
 - TC-3 ENTRANCE / EXIT TIRE WASH

- BASELINE BMPs FOR EXISTING AND PROPOSED SITE FEATURES**
- SD-B DIRECT RUNOFF TO PERVIOUS AREAS
 - SD-C INSTALL GREEN ROOF
 - SD-E INSTALL RAIN BARRELS
 - SD-G CONSERVE NATURAL FEATURES
 - SD-H PROVIDE BUFFERS AROUND WATER BODIES
 - SD-I CONSTRUCT SURFACES FROM PERMEABLE MATERIALS
 - SD-K SUSTAINABLE LANDSCAPING

- BASELINE BMPs FOR POLLUTANT-GENERATING SOURCES**
- SC-A OVERHEAD COVERING
 - SC-B SEPARATION OF FLOWS FROM ADJACENT AREAS
 - SC-C WIND PROTECTION
 - SC-D SANITARY SEWER
 - SC-E CONTAINMENT SYSTEM

- POTENTIAL RUNOFF POLLUTANTS:**
- A TRASH & REFUSE STORAGE
 - B MATERIALS & EQUIPMENT STORAGE
 - C LOADING & UNLOADING
 - D FUELING
 - E MAINTENANCE & REPAIR
 - F VEHICLE & EQUIPMENT CLEANING
 - G OTHER



ENGINEERING SCALE: 1" =

SHEET INDEX

Sheet No.	SHEET NAME
SP-1	SITE PLAN
A1	FLOOR PLAN
A2	ELECTRICAL PLAN
A3	ELEVATIONS - FRONT & BACK
A4	ELEVATIONS - RIGHT & LEFT
A5	ROOF PLAN / TRUSS LAYOUT
A6	SECTIONS
S1	FOUNDATION PLAN
S2	ROOF FRAMING
CS-1	MIN. CONSTRUCTION SPECIFICATIONS

GENERAL CODES

THIS PROJECT SHALL COMPLY WITH THE FOLLOWING BUILDING CODES AND ASSOCIATED COUNTY OF SAN DIEGO AMENDMENTS:

- 2022 CALIFORNIA RESIDENTIAL CODE
- 2022 CALIFORNIA BUILDING CODE
- 2022 CALIFORNIA GREEN BUILDING STANDARDS CODE
- 2022 CALIFORNIA ELECTRICAL CODE
- 2022 CALIFORNIA MECHANICAL CODE
- 2022 CALIFORNIA PLUMBING CODE
- 2022 CALIFORNIA FIRE CODE
- 2022 CALIFORNIA BUILDING ENERGY EFFICIENCY STANDARDS

DESIGN BASIS

CONVENTIONAL LIGHT FRAME CONSTRUCTION

ROOF LIVE LOAD: 20 PSF
 ULTIMATE WIND SPEED: 110 MPH
 EXPOSURE CATEGORY: C
 SITE CLASS: D
 RISK CATEGORY: II
 S_{ps}: 1.25
 SEISMIC DESIGN CATEGORY: D₂
 ALLOW SOIL VERTICAL BEARING PRESSURE: 1500 PSF
 ALLOW SOIL LATERAL BEARING PRESSURE: 100 PSF/FT

ENERGY EFFICIENCY SPECIAL FEATURES

SPECIFY AS INDICATED IN CF-1R FORM (TITLE 24):

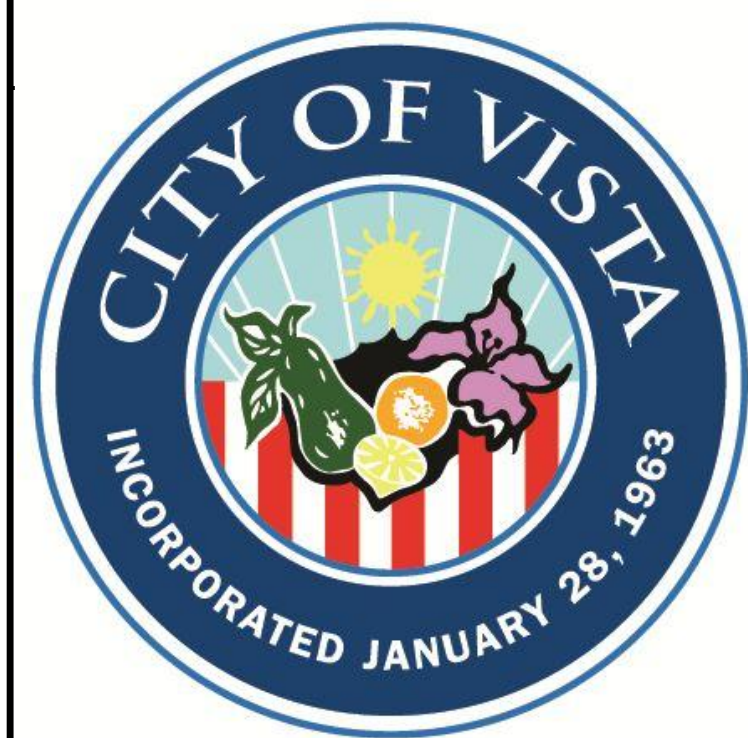
ENERGY EFFICIENCY HERS VERIFICATION

SPECIFY AS INDICATED IN CF-1R FORM (TITLE 24):

PROPERLY COMPLETED AND SIGNED CERTIFICATES OF INSTALLATION (CF2R FORMS) SHALL BE PROVIDED TO THE INSPECTOR IN THE FIELD. FOR PROJECTS REQUIRING HERS VERIFICATION, THE CF2R FORMS SHALL BE REGISTERED WITH A CALIFORNIA-APPROVED HERS PROVIDER DATA REGISTRY. CF2R FORMS ARE AVAILABLE AT [HTTP://WWW.SDCOUNTY.CA.GOV/PDS/BLDG/ENERGY-STDS.HTML](http://www.sdcountry.ca.gov/pds/bldg/energy-stds.html). (CBEE5 10-103)

PROPERLY COMPLETED CERTIFICATES OF VERIFICATION (CF3R FORMS) SHALL BE PROVIDED TO THE INSPECTOR IN THE FIELD FOR ITEMS REQUIRING HERS VERIFICATION. CF3R FORMS SHALL BE REGISTERED WITH A CALIFORNIA-APPROVED HERS PROVIDER DATA REGISTRY. CF3R FORMS ARE AVAILABLE AT [HTTP://WWW.SDCOUNTY.CA.GOV/PDS/BLDG/ENERGY-STDS.HTML](http://www.sdcountry.ca.gov/pds/bldg/energy-stds.html). (CBEE5 10-103)

PROVIDE SOLAR PV SYSTEM UNDER SEPARATE PERMIT. SYSTEM SIZE TO COMPLY WITH ENERGY COMPLIANCE DOCUMENTATION



OWNER INFORMATION

NAME:
 ADDRESS:
 PHONE:
 EMAIL:

CONTACT INFORMATION

NAME:
 ADDRESS:
 PHONE:
 EMAIL:

PROJECT INFORMATION

PROJECT SCOPE: PROPOSED 800 SF DETACHED DWELLING UNIT ADU SFD

APN:
 SITE ADDRESS:

PROPERTY CONNECTED TO THE ELECTRICAL GRID (Y or N)
 PROPERTY SERVICED BY PROPANE (Y or N) IF YES, SHOW TANK ON PLOT PLAN
 PROPERTY SERVICED BY NATURAL GAS (Y or N)
 ENTIRE LOT IS FUEL MODIFIED (Y or N) IF NO, DIMENSION 100' FUEL MODIFICATION ZONE

All proposed buildings, structures, additions, modifications to buildings/structures must comply with the approved location, as shown on the County approved Plot Plan. At the discretion of the County, the property owner may be required to provide proof of current placement of each on the parcel. This may include a stamped and signed setback certificate prepared by a California licensed surveyor or civil engineer. (County Building Code 91.1.107.2)

PERVIOUS AREA INFORMATION

PERVIOUS SURFACE AREA TABLE				
SITE ID	PERVIOUS ITEM	DIMENSIONS	AREA (SF)	NOTES

PERVIOUS ELEMENT MANUFACTURER: _____
 PERVIOUS ELEMENT SLOPE AND DIRECTION OF SLOPE: _____
 MAINTENANCE PROGRAM: _____
 PERVIOUS ELEMENT CROSS SECTION LOCATED ON SHEET: _____

CONSTRUCTED PERVIOUS SURFACES SHALL NOT BE SEALED.

IMPERVIOUS AREA INFORMATION

IMPERVIOUS SURFACE AREA TABLE				
SITE ID	IMPERVIOUS ITEM	DIMENSIONS	NEW or REPLACED AREA (SF)	EXISTING AREA (SF)
1	PROPOSED DWELLING UNIT ADU <input type="checkbox"/> SFD <input type="checkbox"/>	PER PLAN	1065	
2				
3				
4				
TOTAL (SF)				

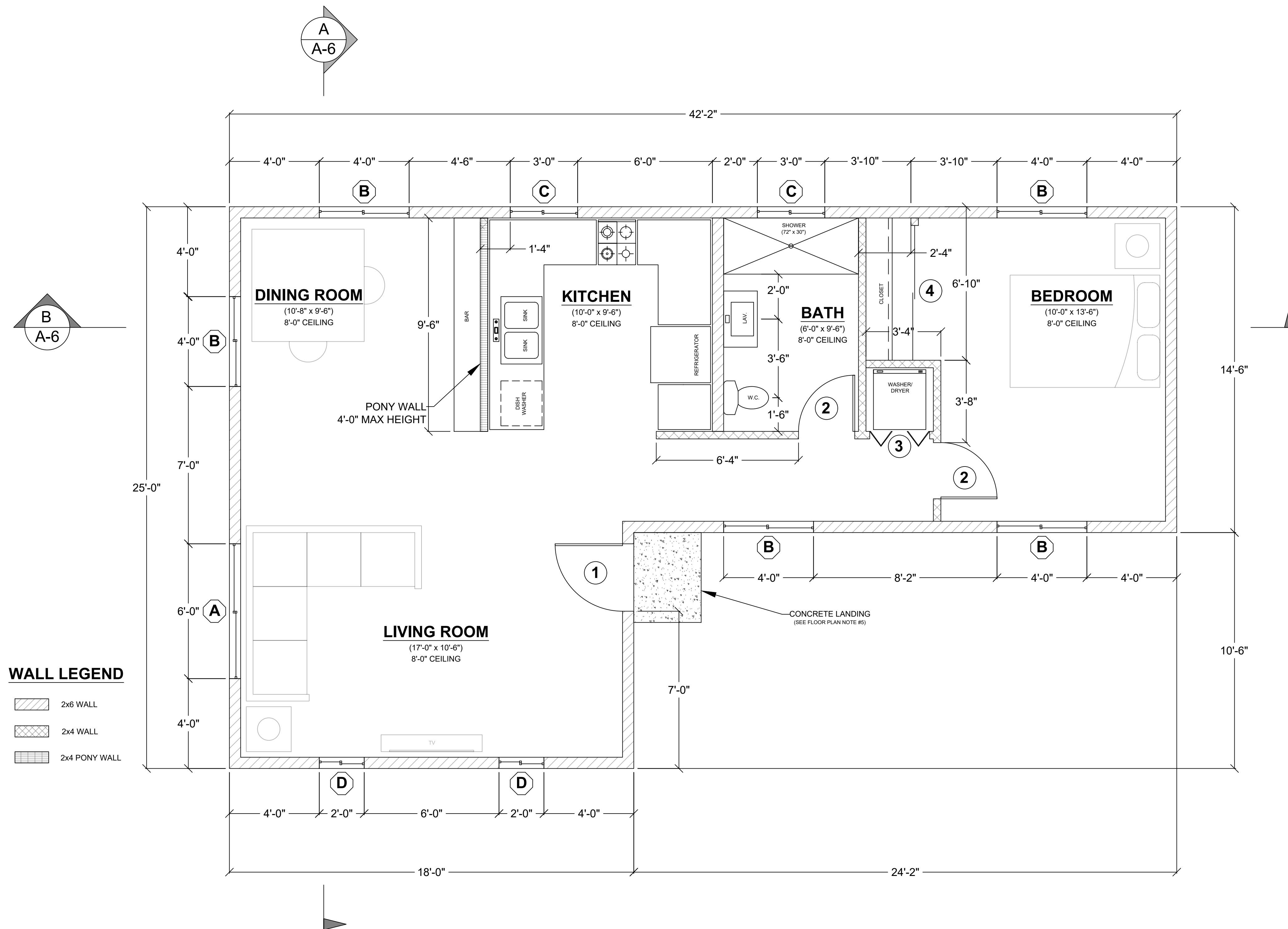
LAND DISTURBANCE: _____ SF

SHEET TITLE

PLOT PLAN

SHEET NUMBER

SP-1



FLOOR PLAN NOTES

- EXTERIOR WALLS WITHIN 3 FEET OF PROPERTY LINE (WITH SPRINKLERS) OR 5 FEET OF PROPERTY LINE (WITHOUT SPRINKLERS) REQUIRE 1-HOUR FIRE RATING FOR EXPOSURE TO BOTH SIDES.
- PROJECTIONS:
 - PROHIBITED WITHIN 2 FEET OF PROPERTY LINE
 - 1-HOUR FIRE RATING ON THE UNDERSIDE WITHIN 3FT OF PROPERTY LINE (WITH SPRINKLERS)
 - 1-HOUR FIRE RATING ON THE UNDERSIDE WITHIN 5FT OF PROPERTY LINE (WITHOUT SPRINKLERS)
- OPENINGS:
 - PROHIBITED WITHIN 3FT OF PROPERTY LINE
 - MAXIMUM 25% OF WALL AREA WITHIN 5 FEET OF PROPERTY LINE (WITHOUT SPRINKLERS)
- PENETRATIONS:
 - 1-HOUR FIRE-RATED PENETRATIONS OF WALLS WITHIN 3FT OF PROPERTY LINE (WITH SPRINKLERS)
 - 1-HOUR FIRE-RATED PENETRATIONS OF WALLS WITHIN 5FT OF PROPERTY LINE (WITHOUT SPRINKLERS)
- CONCRETE LANDING WITH MIN 3/8" DEPTH AND A MAXIMUM OF 1-1/2" LOWER THAN TOP OF DOOR THRESHOLD

OPTIONAL ROLL-IN SHOWER PLAN NOTES

- SHOWER COMPARTMENT SEAT
 - MUST BE FOLDING TYPE, NOT TO EXCEED MORE THAN 6 INCHES FROM MOUNTING WALL WHEN FOLDED
 - LOCATED WITHIN 27 INCHES OF SHOWER CONTROLS
 - MOUNTED MINIMUM 17 INCHES AND MAXIMUM 19 INCHES ABOVE BATHROOM FINISHED FLOOR
 - SEAT INSTALLED ON SIDE WALL ADJACENT TO CONTROLS AND EXTENDING FROM BACK WALL TO POINT WITHIN 3 INCHES OF SHOWER COMPARTMENT ENTRY
 - STRUCTURAL ADEQUACY OF MOUNTING HARDWARE AND FASTENERS TO ACCOMMODATE 250 POUND POINT LOAD APPLIED AT ANY POINT ON THE GRAB BAR, FASTENER, MOUNTING DEVICE, OR SUPPORTING STRUCTURE
- SHOWER GRAB BARS
 - MOUNTED MINIMUM 33 INCHES AND MAXIMUM 36 INCHES ABOVE SHOWER FLOOR
 - NOT EXTENDING OVER SHOWER SEAT
 - IF CROSS SECTION IS CIRCULAR, MINIMUM 1-1/4" AND MAXIMUM 2" OUTSIDE DIAMETER
 - IF CROSS SECTION IS NON-CIRCULAR, MINIMUM 4" AND MAXIMUM 4.8" PERIMETER AND MAXIMUM 2-1/4" CROSS SECTION DIMENSION
 - GRAB BARS MOUNTED ADJACENT TO A WALL, 1-1/2" ABSOLUTE SPACE BETWEEN WALL AND GRAB BAR
 - MINIMUM 1-1/2" SPACE BETWEEN GRAB BAR AND PROJECTING OBJECTS BELOW AND AT ENDS
 - MINIMUM 12 INCH SPACE BETWEEN GRAB BAR AND PROJECTING OBJECTS ABOVE
 - SURFACE MATERIAL OF ANY WALLS OR OBJECTS ADJACENT TO GRAB BARS MUST BE FREE OF SHARP OR ABRASIVE ELEMENTS AND HAVE ROUNDED EDGES
 - STRUCTURAL ADEQUACY OF MOUNTING HARDWARE AND FASTENERS TO ACCOMMODATE 250 POUND POINT LOAD APPLIED AT ANY POINT ON THE GRAB BAR, FASTENER, MOUNTING DEVICE, OR SUPPORTING STRUCTURE
 - WALL REINFORCEMENT TO BE PROVIDED AT LOCATION OF GRAB BARS (E.G. BLOCKING)
- OPERABLE PARTS OF SHOWER CONTROLS AND FAUCETS:
 - INSTALLED ON BACK WALL OF SHOWER COMPARTMENT ADJACENT TO SEAT WALL
 - LOCATED MINIMUM 19 INCHES AND MAXIMUM 27 INCHES FROM SEAT WALL
 - LOCATED ABOVE GRAB BAR BUT NO HIGHER THAN 48 INCHES ABOVE SHOWER FLOOR
 - CENTERLINE AT MINIMUM 39 INCHES AND MAXIMUM 41 INCHES ABOVE SHOWER FLOOR
 - SINGLE-LEVER DESIGN
 - OPERABLE WITH MAXIMUM 5 POUNDS OF FORCE
 - OPERABLE WITH ONE HAND AND WITHOUT TIGHT GRASPING, PINCHING, OR TWISTING OF WRIST
- SPRAYER UNIT AND ASSOCIATED OPERABLE PARTS SHALL BE PROVIDED PER THE FOLLOWING:
 - OPERABLE PARTS, INCLUDING HANDLE, TO BE INSTALLED ON BACK WALL OF SHOWER COMPARTMENT MINIMUM 19 INCHES AND MAXIMUM 27 INCHES FROM SEAT WALL
 - OPERABLE PARTS LOCATED ABOVE GRAB BAR BUT NO HIGHER THAN 48 INCHES ABOVE SHOWER FLOOR, MEASURED TO TOP OF MOUNTING BRACKET
 - MINIMUM 59 INCH LONG HOSE
 - CAPABLE FOR USE AS FIXED SHOWER HEAD AND HAND HELD SHOWER
 - ON/OFF CONTROL WITH NON-POSITIVE SHUT OFF
 - ADJUSTABLE -HEIGHT SHOWER HEADS ON VERTICAL BAR SHALL NOT OBSTRUCT USE OF BATHTUB GRAB BARS
- WHERE SOAP DISHES ARE PROVIDED, MAXIMUM 40 INCHES ABOVE SHOWER FLOOR AND WITHIN REACH LIMITS FROM THE SHOWER SEAT
- MAXIMUM 2.1% SLOPE IN ALL DIRECTIONS OF ROLL-IN SHOWER FLOORS
- MAXIMUM 1/2" HIGH THRESHOLDS WITH MAXIMUM 50% BEVELED SLOPE AT ROLL-IN SHOWERS
- WHERE DRAINS ARE PROVIDED AT ROLL-IN SHOWERS, MAXIMUM 1/4" GRATE OPENINGS FLUSH WITH SHOWER FLOOR SURFACE

By using these standard plans, the user agrees to release the City of Vista and County of San Diego from any and all claims, liabilities, suits, and demands on account of any injury, damage, or loss to persons or property, including injury or death, or economic losses, arising out of the use of these construction documents. The use of these plans does not eliminate or reduce the user's responsibility to verify any and all information.

County of San Diego, Planning & Development Services
 DWELLING UNIT (Plan E - 800 SF)
 BUILDING DIVISION

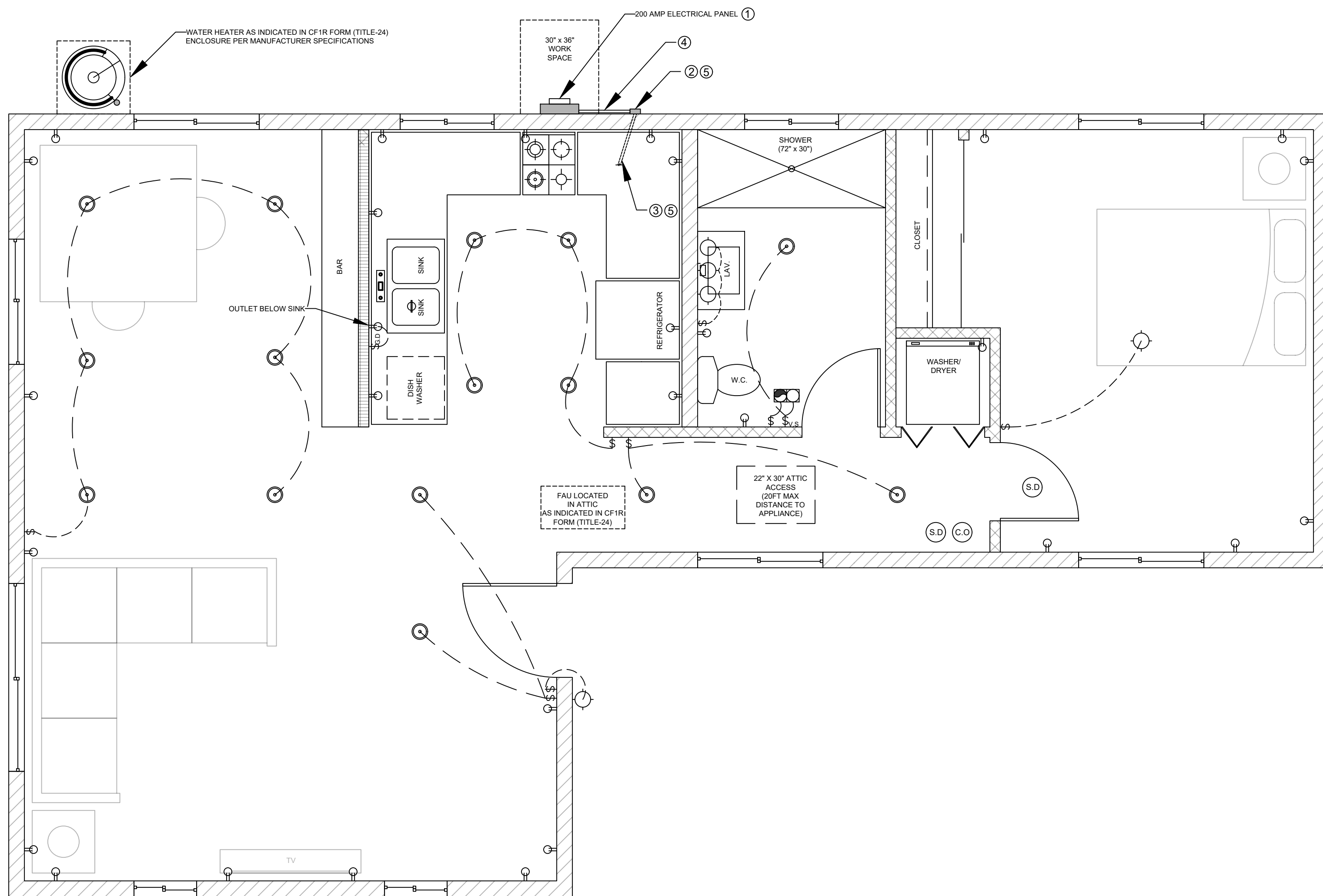
AGING-IN-PLACE AND FALL PREVENTION DESIGN

- REINFORCEMENT FOR GRAB BARS: AT LEAST ONE BATHROOM ON THE ENTRY LEVEL SHALL BE PROVIDED WITH REINFORCEMENT INSTALLED IN ACCORDANCE WITH SECTION R327.1.1. REINFORCEMENT SHALL BE MINIMUM 2X8 SOLID LUMBER, LOCATED BETWEEN 32" AND 39-1/4" ABOVE THE FINISHED FLOOR FLUSH WITH WALL FRAMING ON BOTH SIDE WALLS OF THE FIXTURE.
- ELECTRICAL OUTLETS, SWITCH, AND CONTROL HEIGHTS SHALL BE LOCATED NO MORE THAN 48" MEASURED FROM THE TOP OF THE OUTLET BOX AND NOT LESS THAN 15" MEASURED FROM THE BOTTOM OF THE OUTLET BOX ABOVE THE FINISHED FLOOR (SECTION R327.1.2). SHOW DIMENSION ON ELEVATION.
- DOORBELL BUTTONS SHALL NOT EXCEED 48" ABOVE EXTERIOR FLOOR OR LANDING. (SECTION R327.1.4). SHOW DIMENSION ON ELEVATION.
- INTERIOR DOORS: EFFECTIVE JULY 1, 2024, AT LEAST ONE BATHROOM AND ONE BEDROOM ON THE ENTRY LEVEL SHALL PROVIDE A DOORWAY WITH A NET CLEAR OPENING OF NOT LESS THAN 32 INCHES, MEASURED WITH THE DOOR POSITIONED AT AN ANGLE OF 90 DEGREES FROM THE CLOSE POSITION; OR, IN THE CASE OF A TWO- OR THREE-STORY SINGLE FAMILY DWELLING, ON THE SECOND OR THIRD FLOOR OF THE DWELLING IF A BATHROOM OR BEDROOM IS NOT LOCATED ON THE ENTRY LEVEL.



Sheet Number

A1



ELECTRICAL LEGEND			
⊕	DUPLEX OUTLET	⊙	HIGH EFFICACY RECESSED LIGHT
⊞	WALL SWITCH	♠	GARBAGE DISPOSAL
⊞ _{GD}	GARBAGE DISPOSAL SWITCH		
⊞ _{VS}	VACANCY SENSOR		
⊞	4" DIA DRYER VENT		
⊙	SMOKE DETECTOR		
⊙	CARBON MONOXIDE ALARM		
⊞	FAN AND LIGHT COMBINATION		
⊙	HIGH EFFICACY LIGHT FIXTURE		
			FAN & LIGHT COMBO

GAS or PROPANE WATER HEATERS NOTES

- SYSTEMS USING GAS OR PROPANE WATER HEATERS TO SERVE INDIVIDUAL DWELLING UNITS SHALL DESIGNATE A SPACE AT LEAST 2.5 FEET BY 2.5 FEET WIDE AND 7 FEET TALL SUITABLE FOR THE FUTURE INSTALLATION OF A HEAT PUMP WATER HEATER (HPWH) BY MEETING EITHER A OR B BELOW. ALL ELECTRICAL COMPONENTS SHALL BE INSTALLED IN ACCORDANCE WITH THE CALIFORNIA ELECTRICAL CODE:
- IF THE DESIGNATED SPACE IS WITHIN 3 FEET FROM THE WATER HEATER, THEN THIS SPACE SHALL INCLUDE THE FOLLOWING:
 - A DEDICATED 125-VOLT, 20-AMP ELECTRICAL RECEPTACLE THAT IS CONNECTED TO THE ELECTRIC PANEL WITH A 120/240-VOLT 3 CONDUCTOR, 10 AWG COPPER BRANCH CIRCUIT, WITHIN 3 FEET FROM THE WATER HEATER AND ACCESSIBLE TO THE WATER HEATER WITH NO OBSTRUCTIONS; AND
 - BOTH ENDS OF THE UNUSED CONDUCTOR SHALL BE LABELED WITH THE WORD "SPARE" AND BE ELECTRICALLY ISOLATED; AND
 - A RESERVED SINGLE POLE CIRCUIT BREAKER SPACE IN THE ELECTRICAL PANEL ADJACENT TO THE CIRCUIT BREAKER FOR THE BRANCH CIRCUIT IN A ABOVE AND LABELED WITH THE WORDS "FUTURE 240V USE";
 - A CONDENSATE DRAIN THAT IS NO MORE THAN 2 INCHES HIGHER THAN THE BASE OF THE INSTALLED WATER HEATER AND ALLOWS NATURAL DRAINING WITHOUT PUMP ASSISTANCE.
 - IF THE DESIGNATED SPACE IS MORE THAN 3 FEET FROM THE WATER HEATER, THEN THIS SPACE SHALL INCLUDE THE FOLLOWING:
 - A DEDICATED 240-VOLT BRANCH CIRCUIT SHALL BE INSTALLED WITHIN 3 FEET FROM THE DESIGNATED SPACE. THE BRANCH CIRCUIT SHALL BE RATED AT 30 AMPS MINIMUM. THE BLANK COVER SHALL BE IDENTIFIED AS "240V READY"; AND
 - THE MAIN ELECTRICAL SERVICE PANEL SHALL HAVE A RESERVED SPACE TO ALLOW FOR THE INSTALLATION OF A DOUBLE POLE CIRCUIT BREAKER FOR A FUTURE HPWH INSTALLATION. THE RESERVED SPACE SHALL BE PERMANENTLY MARKED AS "FOR FUTURE 240V USE"; AND
 - EITHER A DEDICATED COLD-WATER SUPPLY, OR THE COLD-WATER SUPPLY SHALL PASS THROUGH THE DESIGNATED HPWH LOCATION JUST BEFORE REACHING THE GAS OR PROPANE WATER HEATER; AND
 - THE HOT WATER SUPPLY PIPE COMING OUT OF THE GAS OR PROPANE WATER HEATER SHALL BE ROUTED FIRST THROUGH THE DESIGNATED HPWH LOCATION BEFORE SERVING ANY FIXTURES; AND
 - THE HOT AND COLD-WATER PIPING AT THE DESIGNATED HPWH LOCATION SHALL BE EXPOSED AND READILY ACCESSIBLE FOR FUTURE INSTALLATION OF AN HPWH; AND
 - A CONDENSATE DRAIN THAT IS NO MORE THAN 2 INCHES HIGHER THAN THE BASE OF THE INSTALLED WATER HEATER AND ALLOWS NATURAL DRAINING WITHOUT PUMP ASSISTANCE.

GAS or PROPANE HEAT PUMPS NOTES

- SYSTEMS USING GAS OR PROPANE FURNACE TO SERVE INDIVIDUAL DWELLING UNITS SHALL INCLUDE THE FOLLOWING:
- A DEDICATED 240-VOLT BRANCH CIRCUIT WIRING SHALL BE INSTALLED WITHIN 3 FEET FROM THE FURNACE AND ACCESSIBLE TO THE FURNACE WITH NO OBSTRUCTIONS. THE BRANCH CIRCUIT CONDUCTORS SHALL BE RATED AT 30 AMPS MINIMUM. THE BLANK COVER SHALL BE IDENTIFIED AS "240V READY." ALL ELECTRICAL COMPONENTS SHALL BE INSTALLED IN ACCORDANCE WITH THE CALIFORNIA ELECTRICAL CODE.
 - THE MAIN ELECTRICAL SERVICE PANEL SHALL HAVE A RESERVED SPACE TO ALLOW FOR THE INSTALLATION OF A DOUBLE POLE CIRCUIT BREAKER FOR A FUTURE HEAT PUMP SPACE HEATER INSTALLATION. THE RESERVED SPACE SHALL BE PERMANENTLY MARKED AS "FOR FUTURE 240V USE."

GAS or PROPANE COOKTOPS NOTES

- SYSTEMS USING GAS OR PROPANE COOKTOP TO SERVE INDIVIDUAL DWELLING UNITS SHALL INCLUDE THE FOLLOWING:
- A DEDICATED 240-VOLT BRANCH CIRCUIT WIRING SHALL BE INSTALLED WITHIN 3 FEET FROM THE COOKTOP AND ACCESSIBLE TO THE COOKTOP WITH NO OBSTRUCTIONS. THE BRANCH CIRCUIT CONDUCTORS SHALL BE RATED AT 50 AMPS MINIMUM. THE BLANK COVER SHALL BE IDENTIFIED AS "240V READY." ALL ELECTRICAL COMPONENTS SHALL BE INSTALLED IN ACCORDANCE WITH THE CALIFORNIA ELECTRICAL CODE.
 - THE MAIN ELECTRICAL SERVICE PANEL SHALL HAVE A RESERVED SPACE TO ALLOW FOR THE INSTALLATION OF A DOUBLE POLE CIRCUIT BREAKER FOR A FUTURE ELECTRIC COOKTOP INSTALLATION. THE RESERVED SPACE SHALL BE PERMANENTLY MARKED AS "FOR FUTURE 240V USE."

GAS or PROPANE CLOTHES DRYERS NOTES

- CLOTHES DRYER LOCATIONS WITH GAS OR PROPANE PLUMBING TO SERVE INDIVIDUAL DWELLING UNITS SHALL INCLUDE THE FOLLOWING:
- A DEDICATED 240-VOLT BRANCH CIRCUIT WIRING SHALL BE INSTALLED WITHIN 3 FEET FROM THE CLOTHES DRYER LOCATION AND ACCESSIBLE TO THE CLOTHES DRYER LOCATION WITH NO OBSTRUCTIONS. THE BRANCH CIRCUIT CONDUCTORS SHALL BE RATED AT 30 AMPS MINIMUM. THE BLANK COVER SHALL BE IDENTIFIED AS "240V READY." ALL ELECTRICAL COMPONENTS SHALL BE INSTALLED IN ACCORDANCE WITH THE CALIFORNIA ELECTRICAL CODE.
 - THE MAIN ELECTRICAL SERVICE PANEL SHALL HAVE A RESERVED SPACE TO ALLOW FOR THE INSTALLATION OF A DOUBLE POLE CIRCUIT BREAKER FOR A FUTURE ELECTRIC CLOTHES DRYER INSTALLATION. THE RESERVED SPACE SHALL BE PERMANENTLY MARKED AS "FOR FUTURE 240V USE."

UTILITY PLAN NOTES

- LOCAL EXHAUST FANS TO EXTERIOR TO PROVIDE MINIMUM 50 CFM INTERMITTENT OR 20 CFM CONTINUOUS VENTILATION.
- SMOKE DETECTORS TO BE INTERCONNECTED PER CRC R314.4 AND HARD-WIRED WITH BATTERY BACK-UP PER CRC R314.6
- CARBON MONOXIDE ALARMS TO BE INTERCONNECTED PER CRC R315.7 AND HARD-WIRED WITH BATTERY BACK-UP PER CRC R315.5
- 4" Ø DRYER VENT WITH MAXIMUM 14 FOOT COMBINED HORIZONTAL AND VERTICAL LENGTH WITH TWO 90 DEGREE ELBOWS.
- A MECHANICAL EXHAUST VENTILATION SYSTEM, SUPPLY VENTILATION SYSTEM, OR COMBINATION THEREOF SHALL BE INSTALLED FOR EACH DWELLING UNIT TO PROVIDE WHOLE-BUILDING VENTILATION WITH OUTDOOR AIR IN COMPLIANCE WITH ASHRAE STANDARD 62.2 AS ADOPTED BY THE CALIFORNIA ENERGY COMMISSION.
- AN INTERMITTENTLY OR CONTINUOUSLY OPERATING LOCAL MECHANICAL EXHAUST VENTILATION SYSTEM SHALL BE INSTALLED IN EACH BATHROOM WITH A BATHTUB, SHOWER, OR SIMILAR MOISTURE SOURCE AND IN EACH KITCHEN IN COMPLIANCE WITH ASHRAE STANDARD 62.2 AS ADOPTED BY THE CALIFORNIA ENERGY COMMISSION. INTERMITTENT LOCAL EXHAUST VENTILATION AIRFLOW RATES SHALL BE 50 CFM IN BATHROOMS AND 100 CFM IN KITCHENS. CONTINUOUS LOCAL EXHAUST VENTILATION AIRFLOW RATES SHALL BE 20 CFM IN BATHROOMS AND 5 AIR CHANGES PER HOUR IN KITCHENS BASED ON KITCHEN VOLUME.
- WATER HEATER OR FURNACE SHALL BE A DIRECT-VENT APPLIANCE
- LISTED GASKETED SELF-CLOSING DOOR REQUIRED FOR GAS FAU

LIGHTING PLAN NOTES

- ALL LUMINAIRES SHALL BE HIGH-EFFICACY IN ACCORDANCE WITH CBEES TABLE 150.0-A
- ALL LED LUMINAIRES AND LAMPS SHALL BE MARKED "JAB" AND LISTED IN THE CALIFORNIA ENERGY COMMISSION DATABASE AT: [HTTPS://CACERTAPPLIANCES.ENERGY.CA.GOV/PAGES/APPLIANCESEARCH.ASPX](https://cacertappliances.energy.ca.gov/pages/appliancesearch.aspx)
- ALL RECESSED DOWNLIGHT AND ENCLOSED LUMINAIRES SHALL BE MARKED "JAB-E" AND LISTED IN THE CALIFORNIA ENERGY COMMISSION DATABASE AT: [HTTPS://CACERTAPPLIANCES.ENERGY.CA.GOV/PAGES/APPLIANCESEARCH.ASPX](https://cacertappliances.energy.ca.gov/pages/appliancesearch.aspx)
- RECESSED DOWNLIGHT LUMINAIRES IN CEILINGS SHALL NOT BE SCREW-BASED
- BATHROOMS, GARAGES, LAUNDRY ROOMS, AND UTILITY ROOMS: AT LEAST ONE LUMINAIRES IN EACH SPACE SHALL BE CONTROLLED BY A VACANCY SENSOR
- ALL LUMINAIRES REQUIRING "JAB" OR "JAB-E" MARKING SHALL BE CONTROLLED BY A DIMMER OR VACANCY SENSOR
EXCEPTION: CLOSETS LESS THAN 70 S.F. & HALLWAYS
- OUTDOOR LIGHTING PERMANENTLY MOUNTED TO BUILDINGS SHALL BE CONTROLLED BY ONE OF THE FOLLOWING:
 - PHOTOCONTROL AND MOTION SENSOR
 - PHOTOCONTROL AND AUTOMATIC TIME-SWITCH CONTROL
 - ASTRONOMICAL TIME CLOCK
 - ENERGY MANAGEMENT CONTROL SYSTEM PER CBEES 150.0(K)3411C

ENERGY STORAGE SYSTEMS (ESS) NOTES

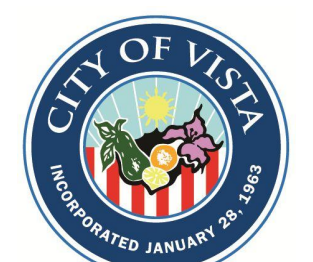
- AT LEAST ONE OF THE FOLLOWING SHALL BE PROVIDED:
 - ESS READY INTERCONNECTION EQUIPMENT WITH A MINIMUM BACKED-UP CAPACITY OF 60 AMPS AND A MINIMUM OF FOUR ESS-SUPPLIED BRANCH CIRCUITS, OR
 - A DEDICATED RACEWAY FROM THE MAIN SERVICE TO A PANELBOARD (SUBPANEL) THAT SUPPLIES THE BRANCH CIRCUITS IN SECTION 150.0(S)(2). ALL BRANCH CIRCUITS ARE PERMITTED TO BE SUPPLIED BY THE MAIN SERVICE PANEL PRIOR TO THE INSTALLATION OF AN ESS. THE TRADE SIZE OF THE RACEWAY SHALL BE NOT LESS THAN ONE INCH. THE PANELBOARD THAT SUPPLIES THE BRANCH CIRCUITS (SUBPANEL) MUST BE LABELED "SUBPANEL SHALL INCLUDE ALL BACKED-UP LOAD CIRCUITS."
- A MINIMUM OF FOUR BRANCH CIRCUITS SHALL BE IDENTIFIED AND HAVE THEIR SOURCE OF SUPPLY COLLOCATED AT A SINGLE PANELBOARD SUITABLE TO BE SUPPLIED BY THE ESS. AT LEAST ONE CIRCUIT SHALL SUPPLY THE REFRIGERATOR, ONE LIGHTING CIRCUIT SHALL BE LOCATED NEAR THE PRIMARY EGRESS, AND AT LEAST ONE CIRCUIT SHALL SUPPLY A SLEEPING ROOM RECEPTACLE OUTLET.
- THE MAIN PANELBOARD SHALL HAVE A MINIMUM BUSBAR RATING OF 225 AMPS.
- SUFFICIENT SPACE SHALL BE RESERVED TO ALLOW FUTURE INSTALLATION OF A SYSTEM ISOLATION EQUIPMENT/TRANSFER SWITCH WITHIN 3 FEET OF THE MAIN PANELBOARD. RACEWAYS SHALL BE INSTALLED BETWEEN THE PANELBOARD AND THE SYSTEM ISOLATION EQUIPMENT/TRANSFER SWITCH LOCATION TO ALLOW THE CONNECTION OF BACKUP POWER SOURCE.

SOLAR READY KEY NOTES

- THE MAIN ELECTRICAL SERVICE PANEL SHALL NOT BE OF A TYPE WITH A CENTER-FED MAIN CIRCUIT BREAKER AND SHALL INCLUDE RESERVED SPACE ALLOWING FOR INSTALLATION OF DOUBLE-POLE CIRCUIT BREAKERS FOR A FUTURE SOLAR PHOTOVOLTAIC SYSTEM. SUCH RESERVED SPACE SHALL BE POSITIONED AT THE OPPOSITE (LOAD) END FROM THE INPUT FEEDER OR MAIN CIRCUIT BREAKER LOCATION. THE RESERVED SPACE SHALL BE PERMANENTLY AND VISIBLY MARKED AS "FOR FUTURE SOLAR PHOTOVOLTAIC"
- APPROVED MINIMUM 4-INCH SQUARE ELECTRICAL JUNCTION BOX LOCATED WITHIN 72 INCHES HORIZONTALLY AND 12 INCHES VERTICALLY OF MAIN ELECTRICAL SERVICE PANEL
- MINIMUM 1 INCH DIAMETER LISTED ELECTRICAL METALLIC RACEWAY ORIGINATING AT READILY ACCESSIBLE ATTIC LOCATION WITH PROXIMITY TO SOLAR ZONE AREA AND TERMINATING AT THE REQUIRED ELECTRICAL JUNCTION BOX
- MINIMUM 1 INCH DIAMETER LISTED ELECTRICAL METALLIC RACEWAY ORIGINATING AT THE REQUIRED ELECTRICAL JUNCTION BOX AND TERMINATING AT THE MAIN ELECTRICAL SERVICE PANEL
- ELECTRICAL JUNCTION BOX AND SEGMENT OF METALLIC RACEWAY IN THE ATTIC SHALL BE PERMANENTLY AND VISIBLY MARKED AS "FOR FUTURE SOLAR PHOTOVOLTAIC"

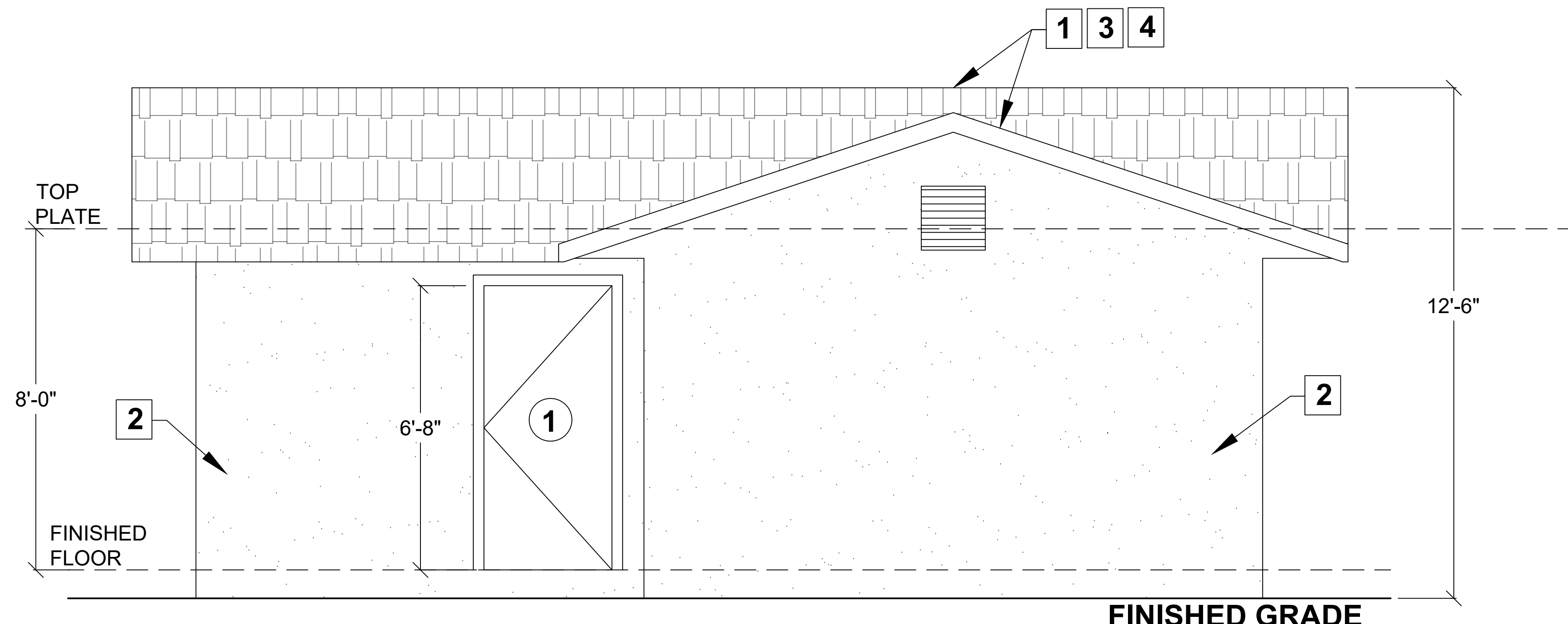
By using these standard plans, the user agrees to release the City of Vista and County of San Diego from any and all claims, liabilities, suits, and demands on account of any injury, damage, or loss to persons or property, including injury or death, or economic losses, arising out of the use of these construction documents. The use of these plans does not eliminate or reduce the user's responsibility to verify any and all information.

County of San Diego, Planning & Development Services
 DWELLING UNIT (Plan E - 800 SF)
 BUILDING DIVISION

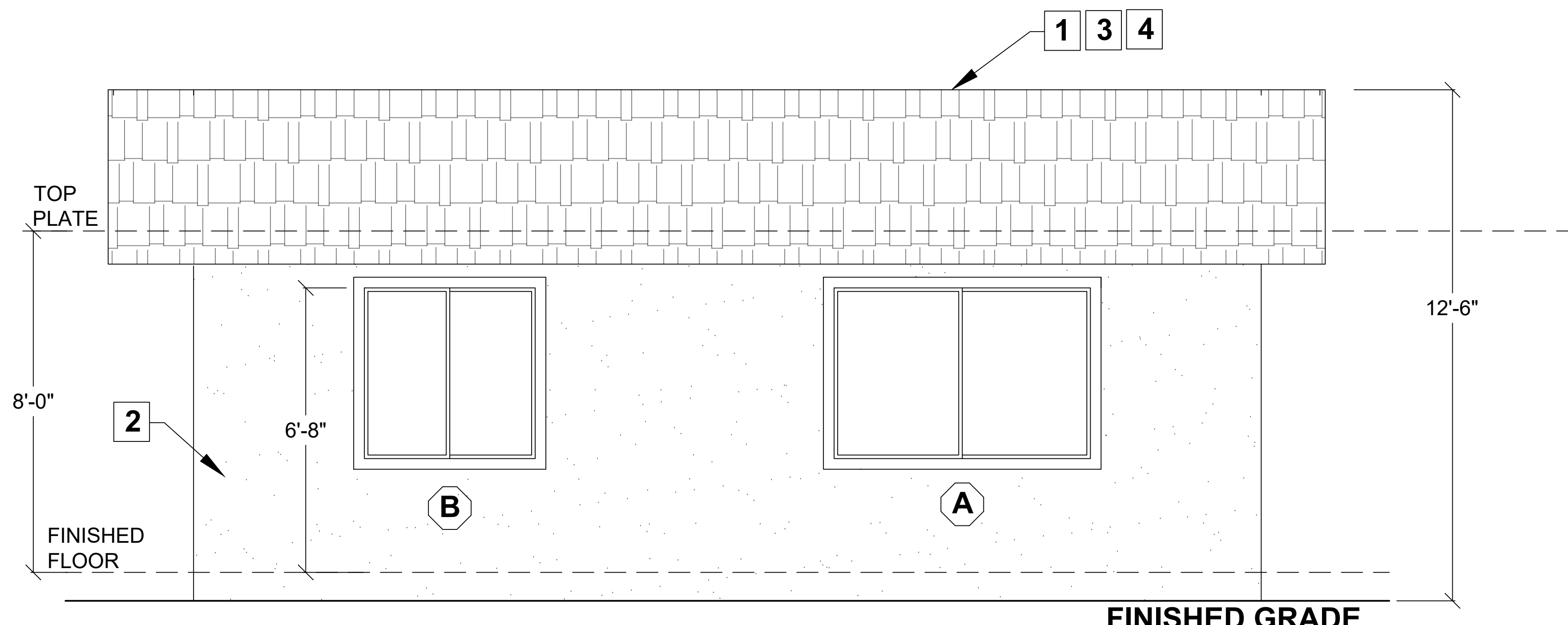


Sheet Number

A2



FRONT



BACK

ELEVATION KEY NOTES

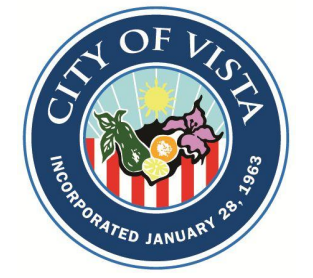
1. ROOF: CLASS 'A' FIRE RATING
 ROOF MATERIAL: _____
 MANUFACTURER / MODEL: _____
 UNDERLAYMENT: _____
 LISTING REPORT #: _____
2. EXTERIOR WALL FINISH: _____ (SEE NOTE 7 BELOW)
3. ROOF PITCH: _____
4. RADIANT BARRIER IS REQUIRED YES NO

WILDFIRE ZONE PLAN NOTES

1. IN ROOF COVERINGS WHERE THE PROFILE CREATES SPACE BETWEEN THE ROOF COVERING AND COMBUSTIBLE ROOF DECKING, SPECIFY ONE OF THE FOLLOWING MEANS OF PROTECTING SPACES AT EAVES ENDS:
 - a. FIRE-STOPPING WITH APPROVED MATERIALS
 - b. ONE LAYER OF 72 POUND (32.4 KG) MINERAL-SURFACED NON-PERFORATED CAP SHEET COMPLYING WITH ASTM D 3909 INSTALLED OVER THE COMBUSTIBLE DECKING
 - c. OTHERWISE CONSTRUCTED TO PREVENT INTRUSION OF FLAMES AND EMBERS
2. EXPOSED VALLEY FLASHINGS SHALL BE CONSTRUCTED WITH NOT LESS THAN 0.019-INCH (NO. 26 GALVANIZED SHEET GAGE) CORROSION-RESISTANT METAL INSTALLED OVER A MINIMUM 36-INCH-WIDE UNDERLAYMENT CONSISTING OF ONE LAYER OF NO. 72 ASTM CAP SHEET RUNNING THE FULL LENGTH OF THE VALLEY.
3. ANY ROOF GUTTERS SHALL BE PROVIDED WITH MEANS TO PREVENT ACCUMULATION OF LEAVES AND DEBRIS.
4. SKYLIGHTS SHALL BE TEMPERED GLASS.
5. ALL VENTS (ROOF, FOUNDATION, COMBUSTION-AIR, ETC) SHALL RESIST THE INTRUSION OF FLAMES AND EMBERS
6. VENTILATION OPENINGS FOR ENCLOSED ATTICS, EAVE SOFFIT SPACES, ENCLOSED RAFTER SPACES FORMED WHERE CEILINGS ARE APPLIED DIRECTLY TO THE UNDERSIDE OF ROOF RAFTERS, UNDERFLOOR VENTILATION OPENINGS, AND VENT OPENINGS IN EXTERIOR WALLS AND EXTERIOR DOORS SHALL BE LISTED TO ASTM E 2886 AND COMPLY WITH ALL OF THE FOLLOWING:
 - a. THERE SHALL BE NO FLAMING IGNITION OF THE COTTON MATERIAL DURING THE EMBER INTRUSION TEST
 - b. THERE SHALL BE NO FLAMING IGNITION DURING THE INTEGRITY TEST PORTION OF THE FLAME INTRUSION TEST
 - c. THE MAXIMUM TEMPERATURE OF THE UNEXPOSED SIDE OF THE VENT SHALL NOT EXCEED 662 DEGREES FAHRENHEIT (350 DEGREES CELSIUS)
7. EXTERIOR WALL FINISH SHALL COMPLY WITH ONE OF THE FOLLOWING:
 - a. NON-COMBUSTIBLE MATERIAL (STUCCO, CEMENT FIBER BOARD, ETC)
 - STUCCO AND CEMENT PLASTER USED AS AN EXTERIOR WALL COVERING SHALL BE 7/8-INCH THICK
 - NONCOMBUSTIBLE OR FIRE-RETARDANT-TREATED WOOD SHAKE USED AS AN EXTERIOR WALL COVERING SHALL HAVE AN UNDERLAYMENT OF MINIMUM 1/2-INCH FIRE-RATED GYPSUM SHEATHING THAT IS TIGHTLY BUTTED, OR TAPED AND MUDDED, OR AN UNDERLAYMENT OF OTHER IGNITION-RESISTANT MATERIAL APPROVED BY THE BUILDING OFFICIAL.
 - b. IGNITION-RESISTANT MATERIAL
8. PATIO COVER, CARPORT AND TRELLIS CONSTRUCTION WITH ALL EXPOSED ELEMENTS SHALL COMPLY WITH ANY OF THE FOLLOWING:
 - NON-COMBUSTIBLE MATERIAL
 - 1-HOUR FIRE-RESISTANT-RATED MATERIAL
 - APPROVED EXTERIOR FIRE-RETARDANT TREATED WOOD
 - MODIFIED HEAVY TIMBER (MIN 2X TONGUE-AND-GROOVE SHEATHING, 4X6 RAFTERS/BEAMS, 6X6 POSTS)
9. DECK, BALCONY, AND EXTERIOR STAIR CONSTRUCTION, WITH ALL EXPOSED ELEMENTS SHALL COMPLY WITH THE FOLLOWING:
 - a. FRAMING
 - NON-COMBUSTIBLE MATERIAL
 - 1-HOUR FIRE-RESISTANT-RATED MATERIAL
 - APPROVED EXTERIOR FIRE-RETARDANT TREATED WOOD
 - MODIFIED HEAVY TIMBER (MIN 4X8 JOISTS, 4X10 OR 6X8 BEAMS, 6X6 POSTS)
 - b. DECKING AND TREAD MATERIAL (ANY OF THE FOLLOWING):
 - NON-COMBUSTIBLE MATERIAL
 - 1-HOUR FIRE-RESISTANT-RATED MATERIAL
 - APPROVED EXTERIOR FIRE-RETARDANT TREATED WOOD
 - APPROVED ALTERNATIVE DECKING MATERIAL MEETING TESTS REQUIREMENTS OF COUNTY BUILDING CODE 92.1.709A.1.4)
10. EXTERIOR GARAGE DOORS SHALL RESIST THE INTRUSION OF EMBERS INTO THE GARAGE BY LIMITING THE SIZE OF ANY GAPS AT THE BOTTOM, SIDES, AND TOP OF THE DOOR TO 1/8 INCH OR LESS USING ONE OF THE FOLLOWING METHODS:
 - a. WEATHER-STRIPPING PRODUCTS WITH TENSILE STRENGTH AND FLAMMABILITY RATING PER CBC 708A.4
 - b. DOOR OVERLAPS ONTO JAMBS AND HEADERS
 - c. GARAGE DOOR JAMBS AND HEADERS COVERED WITH METAL FLASHING
11. PAPER-FACED INSULATION PROHIBITED IN ATTICS OR OTHER VENTILATED SPACES.
12. FENCES OR ANY STRUCTURE WITHIN 5 FEET OF BUILDING SHALL BE CONSTRUCTED PER ONE OF THE FOLLOWING:
 - a. NON-COMBUSTIBLE MATERIAL
 - b. APPROVED EXTERIOR FIRE-RETARDANT TREATED WOOD
 - c. MATERIAL MEETING SAME FIRE-RESISTIVE STANDARDS AS EXTERIOR WALLS OF BUILDINGS

By using these standard plans, the user agrees to release the City of Vista and County of San Diego from any and all claims, liabilities, suits, and demands on account of any injury, damage, or loss to persons or property, including injury or death, or economic losses, arising out of the use of these construction documents. The use of these plans does not eliminate or reduce the user's responsibility to verify any and all information.

**County of San Diego, Planning & Development Services
 DWELLING UNIT (Plan E - 800 SF)
 BUILDING DIVISION**



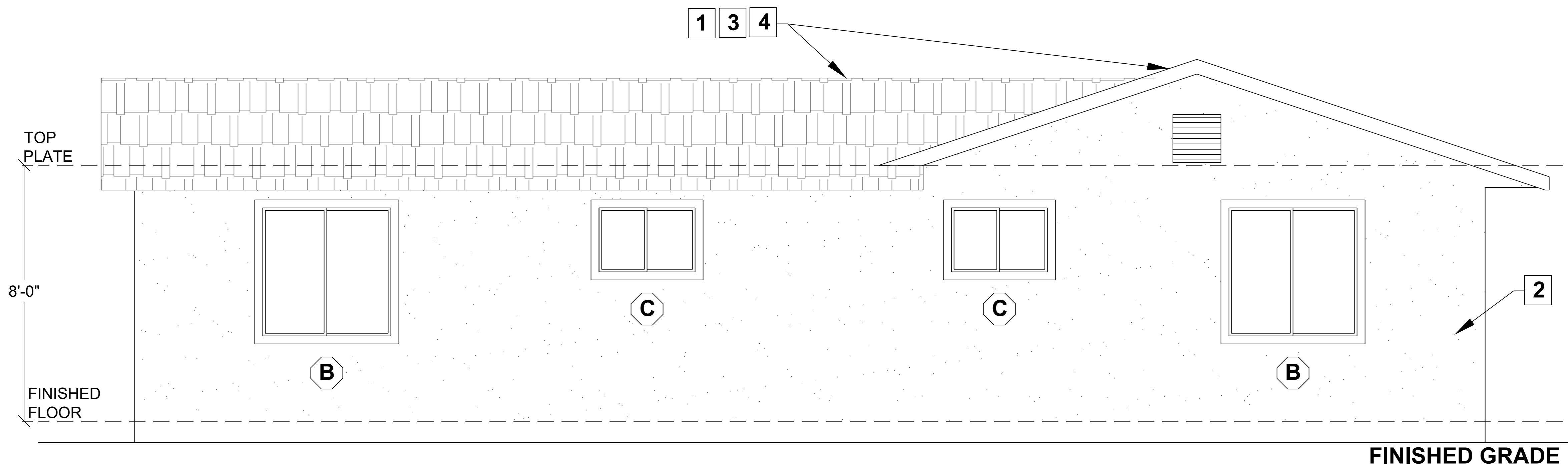
Sheet Number

A3

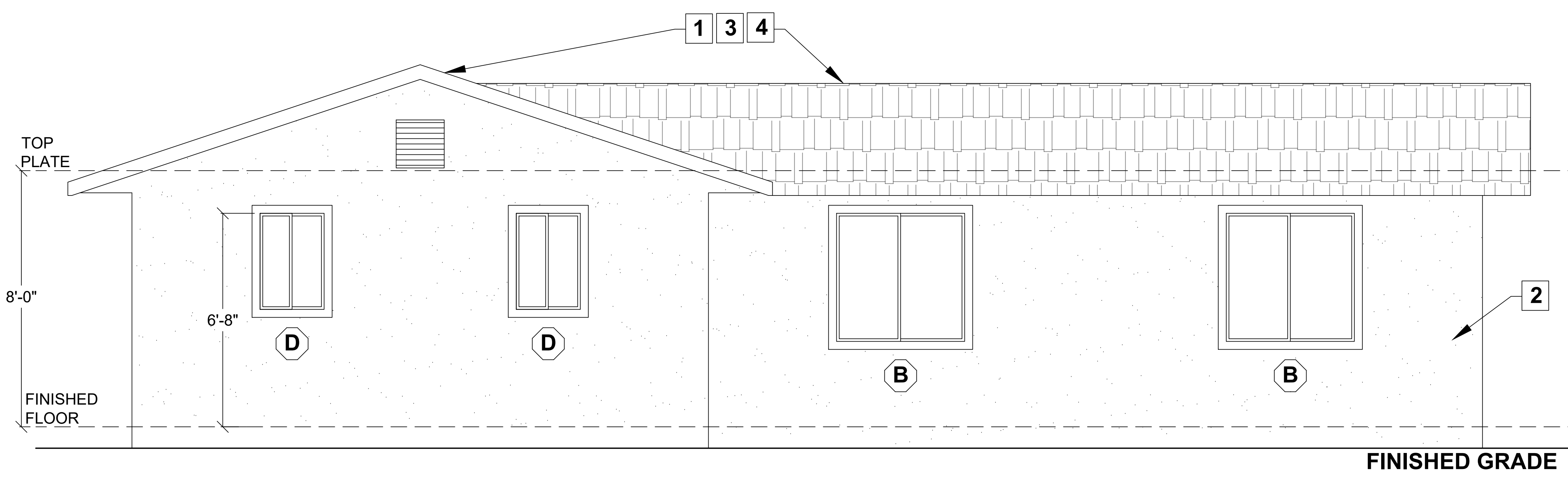
ELEVATIONS
 1/2" = 1'-0"

ELEVATION KEY NOTES

SEE SHEET A3 FOR KEYNOTES



RIGHT

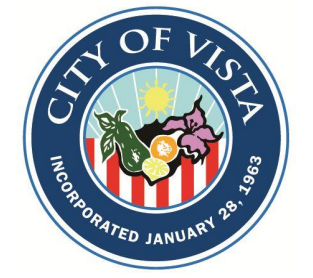


LEFT

ELEVATIONS
1/2" = 1'-0"

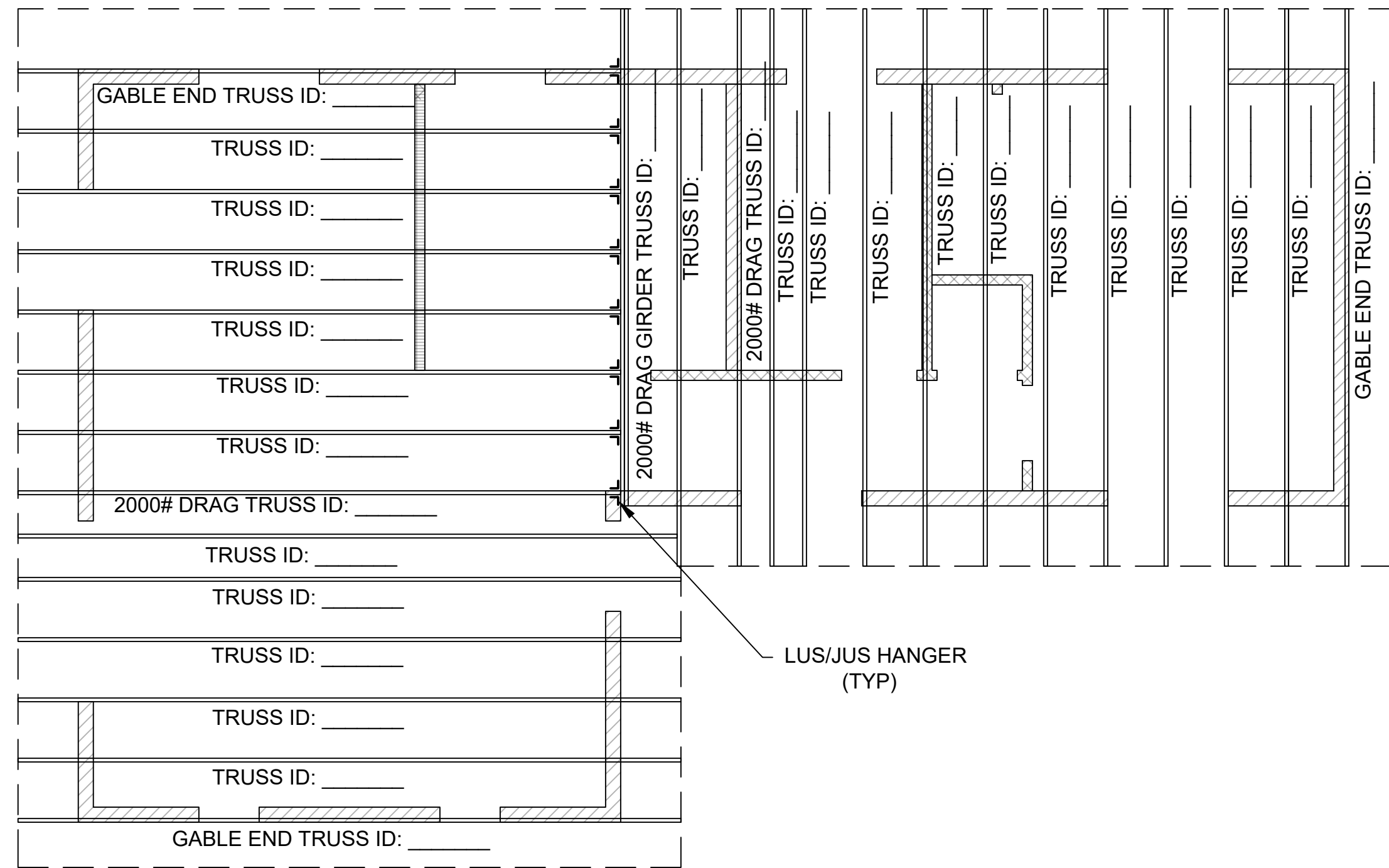
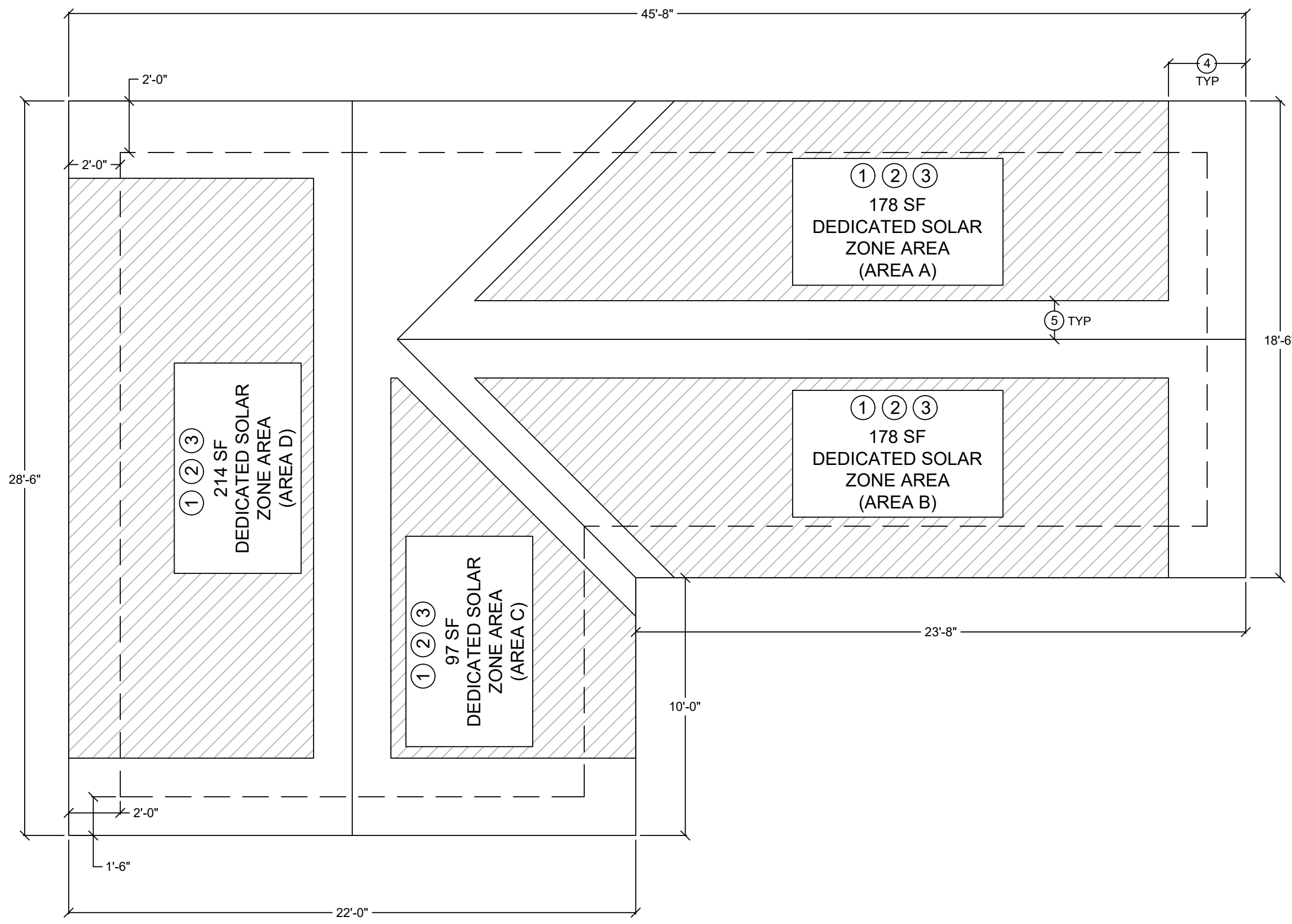
By using these standard plans, the user agrees to release the City of Vista and County of San Diego from any and all claims, liabilities, suits, and demands on account of any injury, damage, or loss to persons or property, including injury or death, or economic losses, arising out of the use of these construction documents. The use of these plans does not eliminate or reduce the user's responsibility to verify any and all information.

County of San Diego, Planning & Development Services
DWELLING UNIT (Plan E - 800 SF)
BUILDING DIVISION

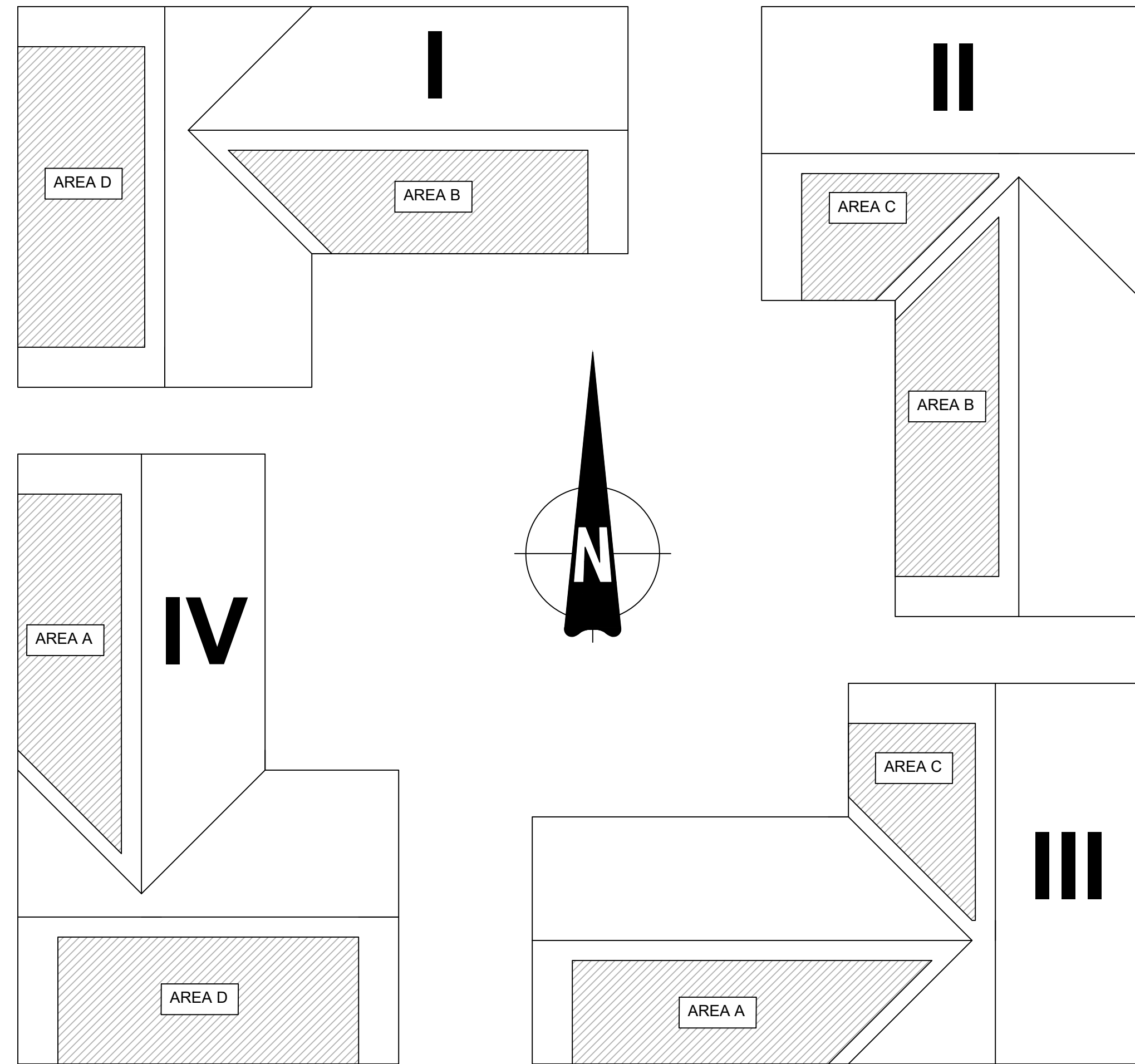


Sheet Number

A4



SOLAR READY CONFIGURATIONS



SOLAR READY KEY NOTES

- WHEN PV SYSTEM NOT REQUIRED PER ENERGY COMPLIANCE DOCUMENTATION OR OTHERWISE EXEMPTED:
1. MIN 250 S.F. SOLAR ZONE AREA
 2. DEDICATED SOLAR ZONE AREA LOCATED BETWEEN 110 AND 270 DEGREES OF TRUE NORTH - USE AREA A OR B AS NEEDED.
 3. NO OBSTRUCTIONS - INCLUDING VENTS, CHIMNEYS, SKYLIGHTS, ARCHITECTURAL FEATURES, ROOF-MOUNTED EQUIPMENT - LOCATED WITHIN SOLAR ZONE.
 4. 3' MIN FIRE FIGHTER ACCESS
 5. 3' SMOKE VENTILATION SETBACK AT RIDGES

ATTIC VENTILATION

ATTIC VENTILATION REQUIRED
(SEE WILDFIRE NOTES 5 & 6 ON SHEET A3)

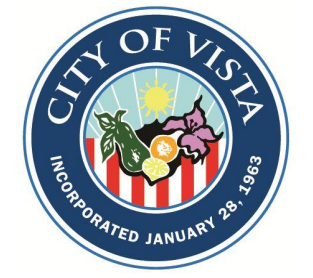
NET FREE CROSS VENTILATION AREA = $\frac{1}{300}$

VENT AREA REQUIRED = $800 \text{ ft}^2 / 300 = 2.67 \text{ ft}^2 \times 144 = 384 \text{ in}^2 < \frac{\text{TOTAL VENT AREA PROVIDED}}{\text{AREA PROVIDED}}$

1. GABLE VENT (MIN ONE VENT AT EACH GABLE END)
MANUFACTURER: _____
MODEL: _____
QTY: _____ NFVA: _____ in²
VENT AREA PROVIDED = QTY x NFVA = _____ in²
2. EAVE VENT
MANUFACTURER: _____
MODEL: _____
QTY: _____ NFVA: _____ in²
VENT AREA PROVIDED = QTY x NFVA = _____ in²
3. ROOF VENT
MANUFACTURER: _____
MODEL: _____
QTY: _____ NFVA: _____ in²
VENT AREA PROVIDED = QTY x NFVA = _____ in²
4. INSTALL BETWEEN 40% AND 50% OF THE REQUIRED NET FREE VENT AREA A MAXIMUM OF 3 FEET BELOW THE RIDGE OR THE HIGHEST POINT OF THE SPACE (MEASURED VERTICALLY), AND INSTALL THE BALANCE OF THE REQUIRED VENTILATION IN THE BOTTOM ONE-THIRD OF THE ATTIC SPACE.

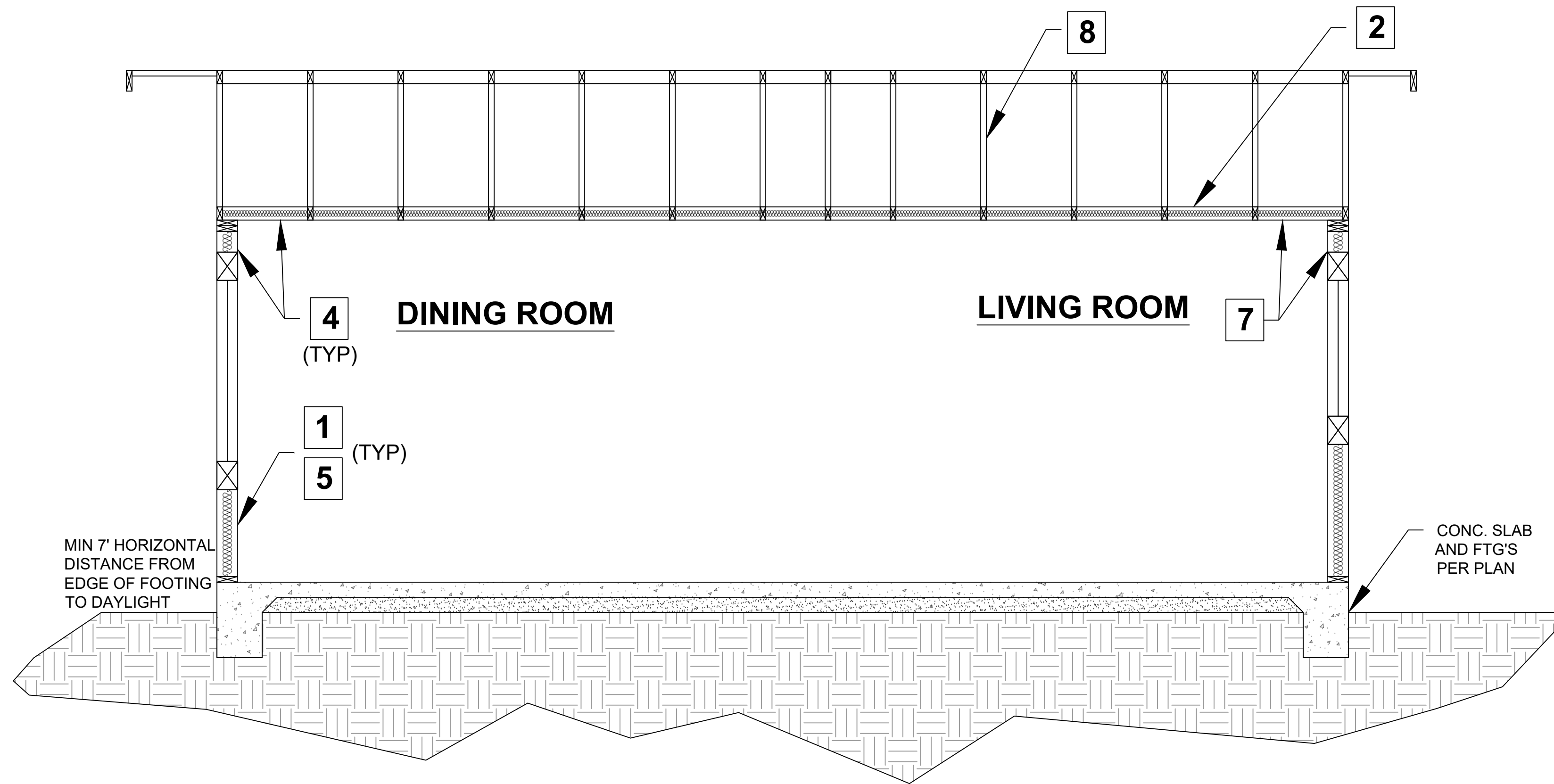
By using these standard plans, the user agrees to release the City of Vista and County of San Diego from any and all claims, liabilities, suits, and demands on account of any injury, damage, or loss to persons or property, including injury or death, or economic losses, arising out of the use of these construction documents. The use of these plans does not eliminate or reduce the user's responsibility to verify any and all information.

County of San Diego, Planning & Development Services
DWELLING UNIT (Plan E - 800 SF)
BUILDING DIVISION



Sheet Number

A5

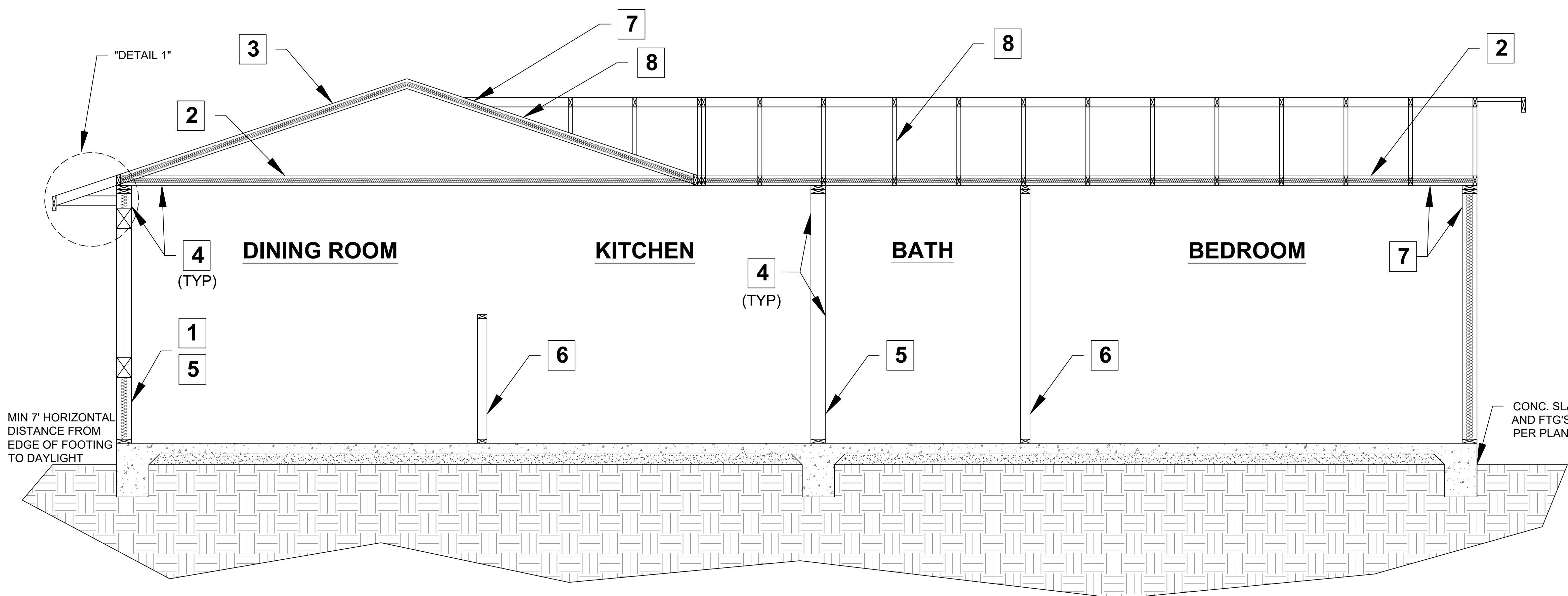


SECTION A-A

SECTION KEY NOTES

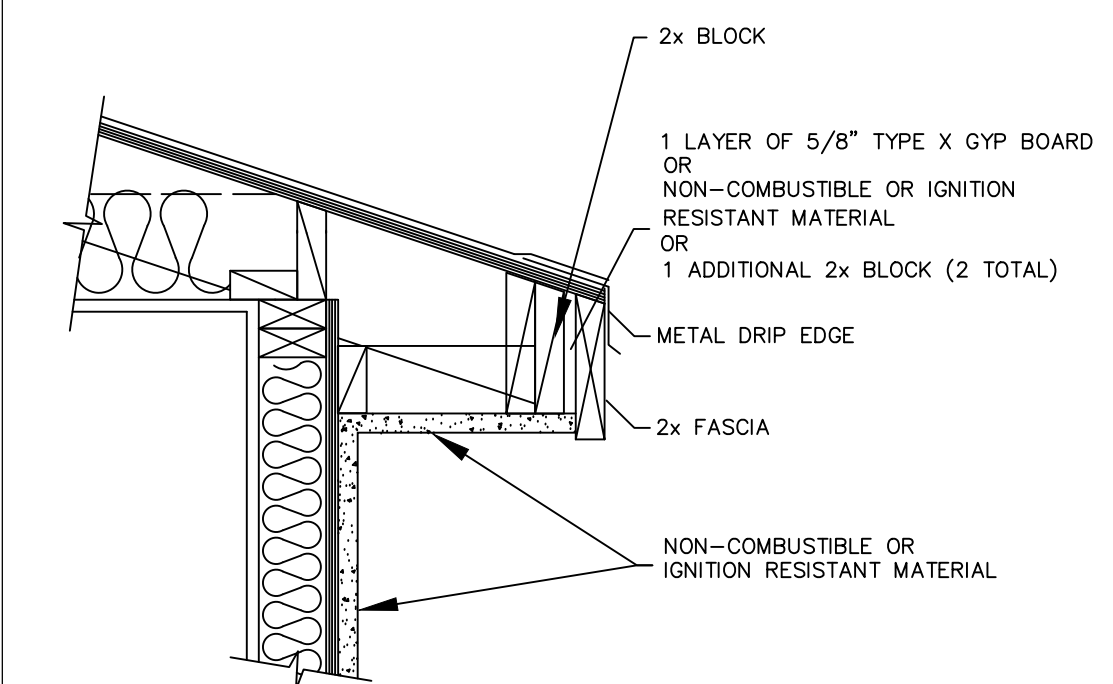
1. WALL INSULATION: _____
2. CEILING INSULATION: _____
3. ROOF (TOP CHORD) INSULATION: _____
4. INTERIOR FINISH: 1/2" GYPSUM BOARD
5. EXTERIOR WALL/PLUMBING WALL: 2X6 STUD WALL
6. INTERIOR WALL: 2X4 STUD WALL
7. CLIMATE ZONE 14 PROJECT (Y or N) if yes, see below:
A CLASS I OR II VAPOR RETARDER SHALL BE INSTALLED ON THE
CONDITIONED SPACE SIDE OF ALL INSULATION IN ALL EXTERIOR
WALLS AND VENTED ATTICS
8. MANUFACTURED TRUSSES

By using these standard plans, the user agrees to release the City of Vista and County of San Diego from any and all claims, liabilities, suits, and demands on account of any injury, damage, or loss to persons or property, including injury or death, or economic losses, arising out of the use of these construction documents. The use of these plans does not eliminate or reduce the user's responsibility to verify any and all information.



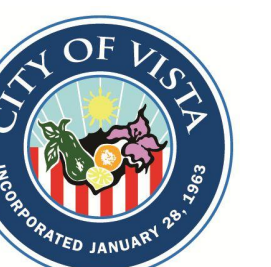
SECTION B-B

1 IGNITION-RESISTANT EAVE



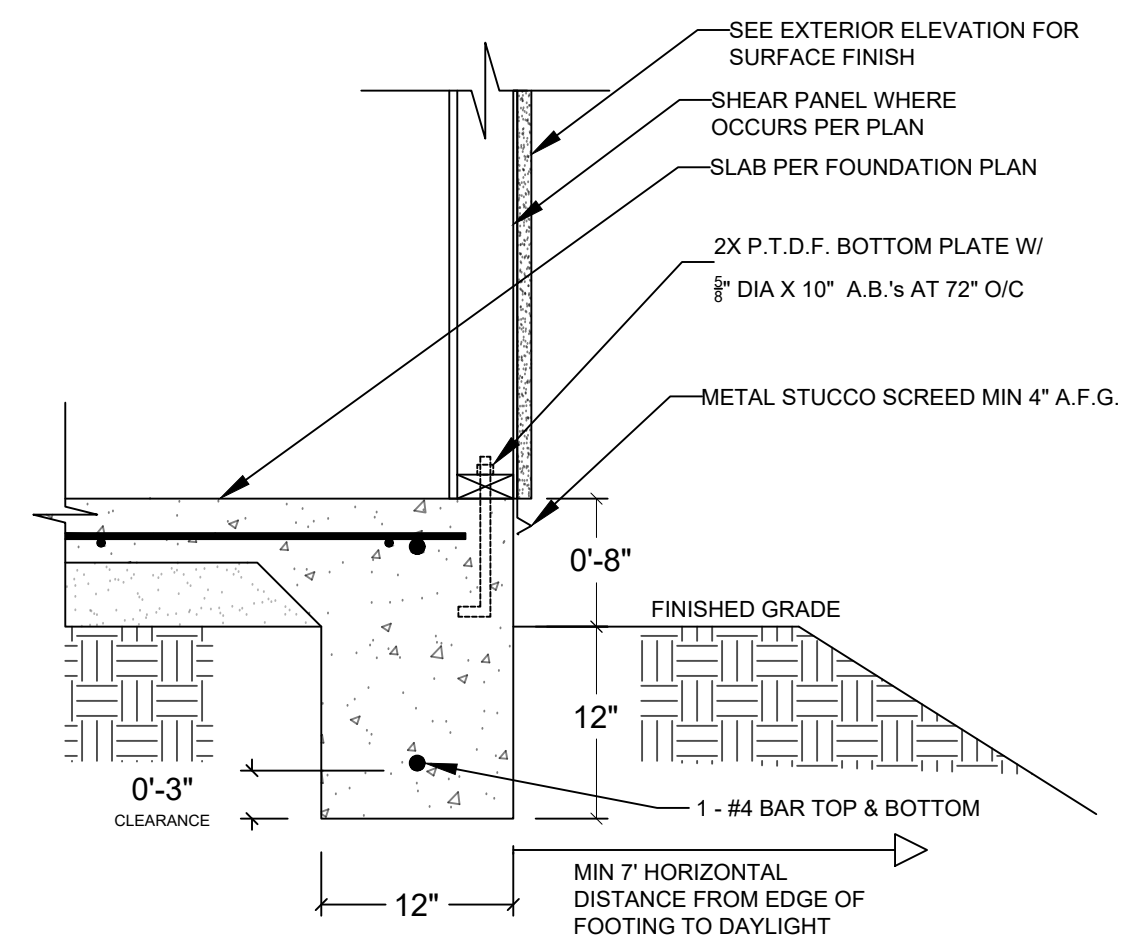
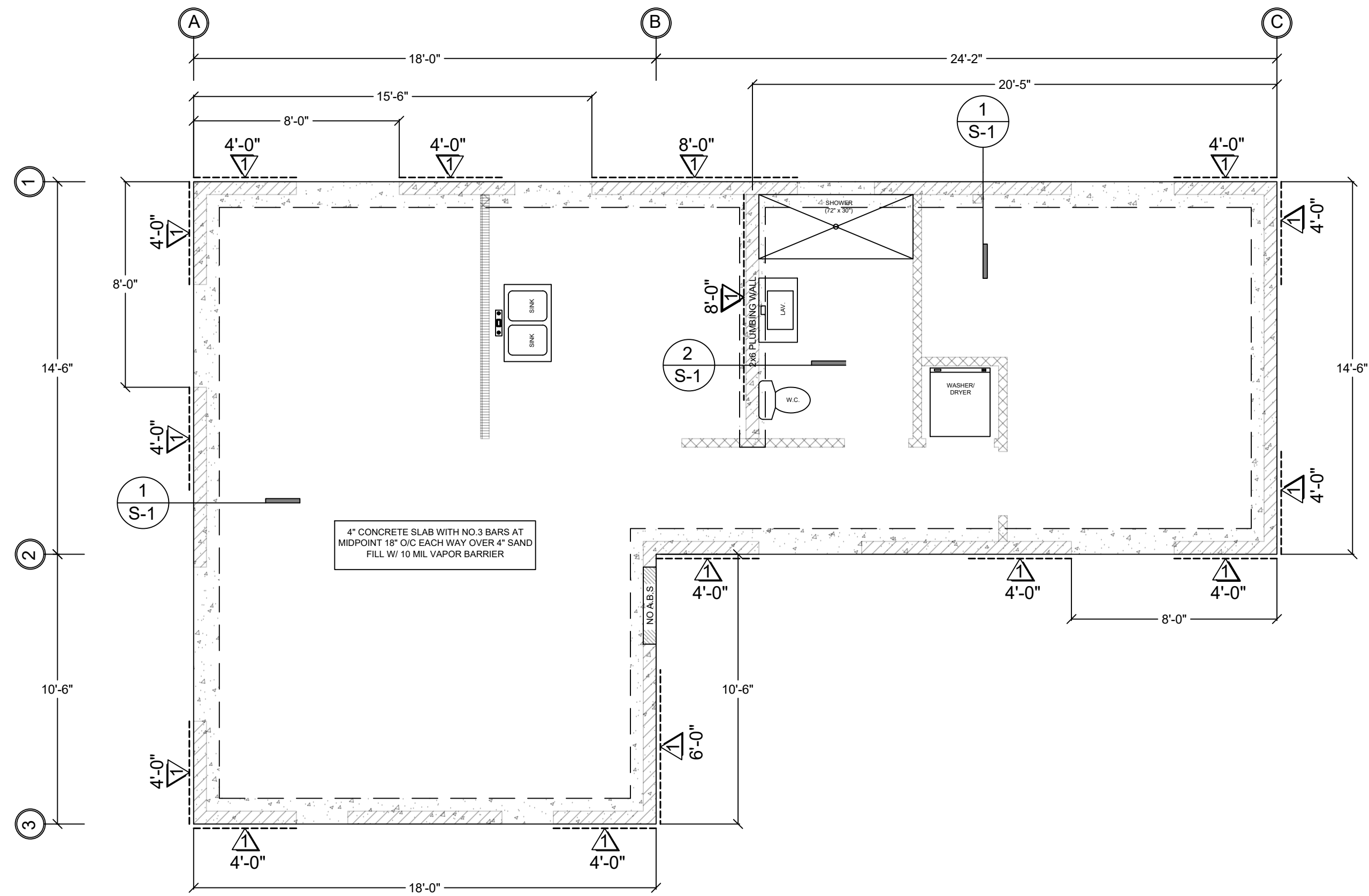
SECTIONS
1/2" = 1'-0"

County of San Diego, Planning & Development Services
DWELLING UNIT (Plan E - 800 SF)
BUILDING DIVISION

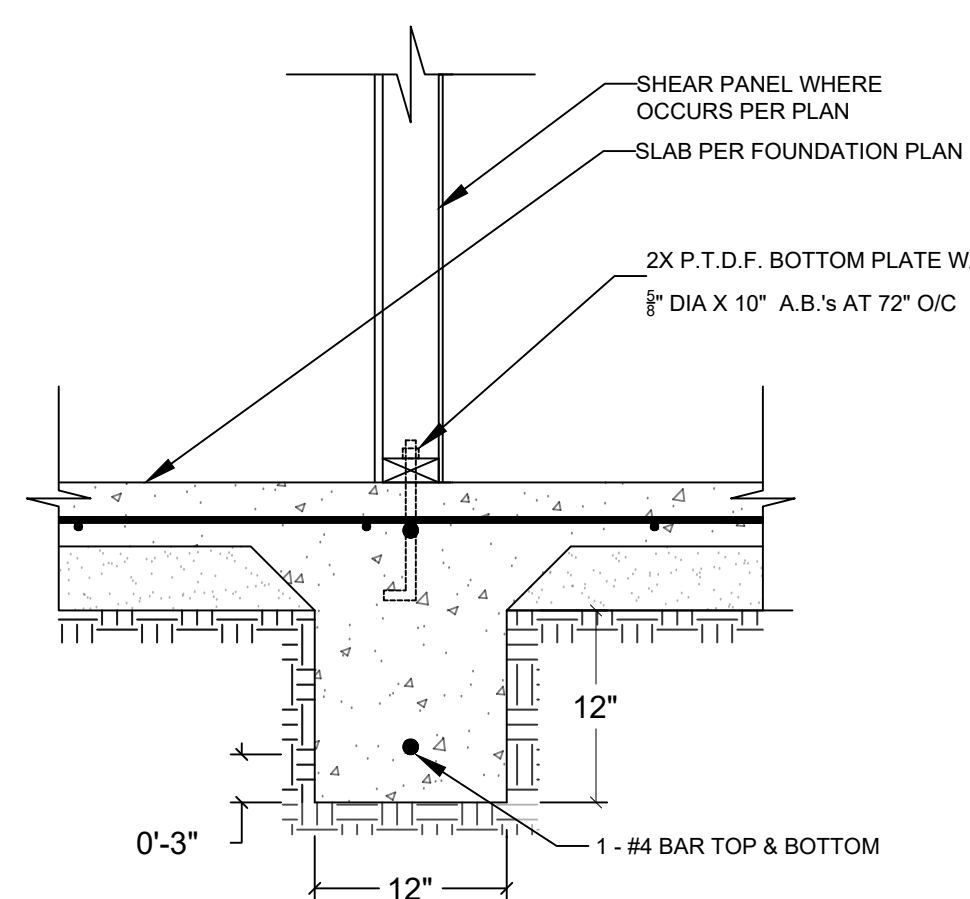


Sheet Number

A6



1 EXTERIOR FOOTING



2 INTERIOR FOOTING

- FOUNDATION PLAN NOTES**
1. ALL ANCHOR BOLTS SHALL BE 5/8" DIAMETER AND HAVE A MINIMUM EMBEDMENT OF 7 INCHES INTO CONCRETE (UNO) AND NOT SPACED MORE THAN 6 FEET APART
 2. 3"x3"x0.229" PLATE WASHERS SHALL BE USED ON EACH SILL PLATE ANCHOR BOLT
 3. FOR STANDARD CUT WASHERS PLACED BETWEEN PLATE WASHER AND NUT, HOLE IN PLATE WASHER MAY BE DIAGONALLY SLOTTED WITH MAXIMUM 3/16" LARGER WIDTH THAN BOLT DIAMETER AND MAXIMUM 1-3/4" SLOT LENGTH
 4. PROVIDE A MINIMUM OF TWO ANCHOR BOLTS PER SILL PLATE WITH ONE BOLT LOCATED MAXIMUM 12" AND MINIMUM 7 BOLT DIAMETERS FROM EACH END OF EACH SECTION.
 5. BOLTS LOCATED IN THE MIDDLE THIRD OF THE SILL PLATE WIDTH
 6. FASTENERS FOR PRESSURE-PRESERVATIVE TREATED AND FIRE RETARDANT TREATED WOOD SHALL BE HOT-DIPPED ZINC COATED GALVANIZED, STAINLESS STEEL OR COPPER
 7. NO LPG PIPING ASSEMBLIES ALLOWED IN OR BENEATH SLABS WITHIN THE STRUCTURE

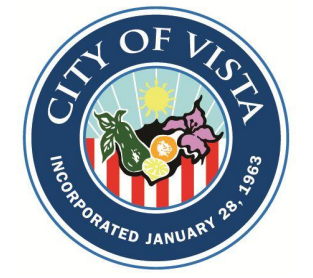
WOOD STRUCTURAL PANEL SHEATHING							
MARK	MINIMUM NAIL		MINIMUM WOOD STRUCTURAL PANEL SPAN RATING	MINIMUM NOMINAL PANEL THICKNESS (in)	MAXIMUM WALL STUD SPACING (in)	PANEL NAIL SPACING	
	SIZE	PENETRATION (in)				EDGES (inches o/c)	FIELD (inches o/c)
1	6D COMMON	1.5	24:0	3/8"	16	6	12
	8D COMMON	1.75	24:16	7/16"	16	6	12

WOOD STRUCTURAL PANELS SHALL CONFORM TO DOC PS 1, DOC PS 2 OR ANSI/APA PRP 210, CSA O437 OR CSA O325. PANELS SHALL BE IDENTIFIED BY A GRADE MARK OR CERTIFICATE OF INSPECTION ISSUED BY AN APPROVED AGENCY

VERTICAL JOINTS OF PANEL SHEATHING SHALL OCCUR OVER AND BE FASTENED TO COMMON STUDS. HORIZONTAL JOINTS IN BRACED WALL PANELS SHALL OCCUR OVER AND BE FASTENED TO COMMON BLOCKING OF A MINIMUM 1 1/2 INCH THICKNESS.

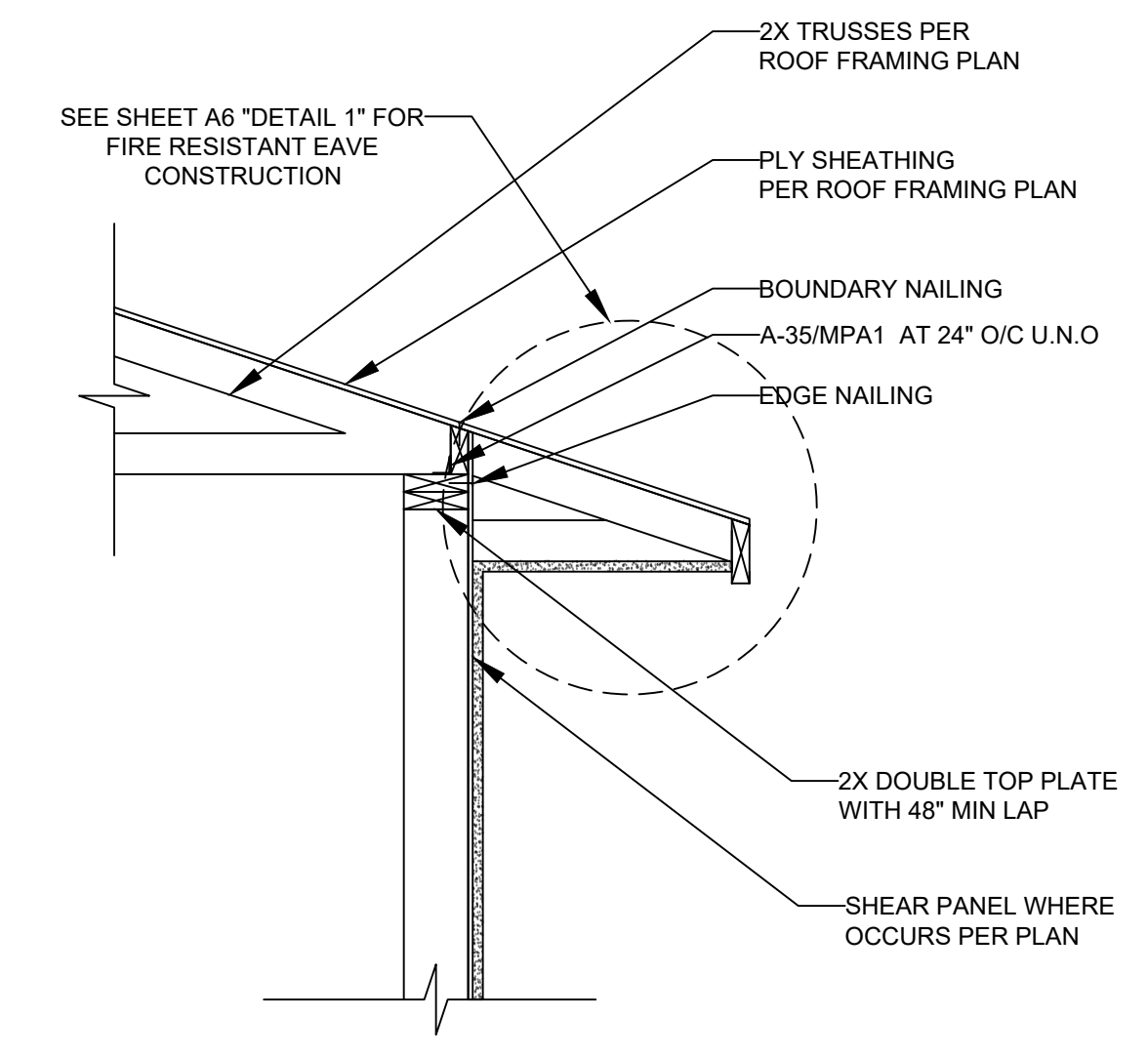
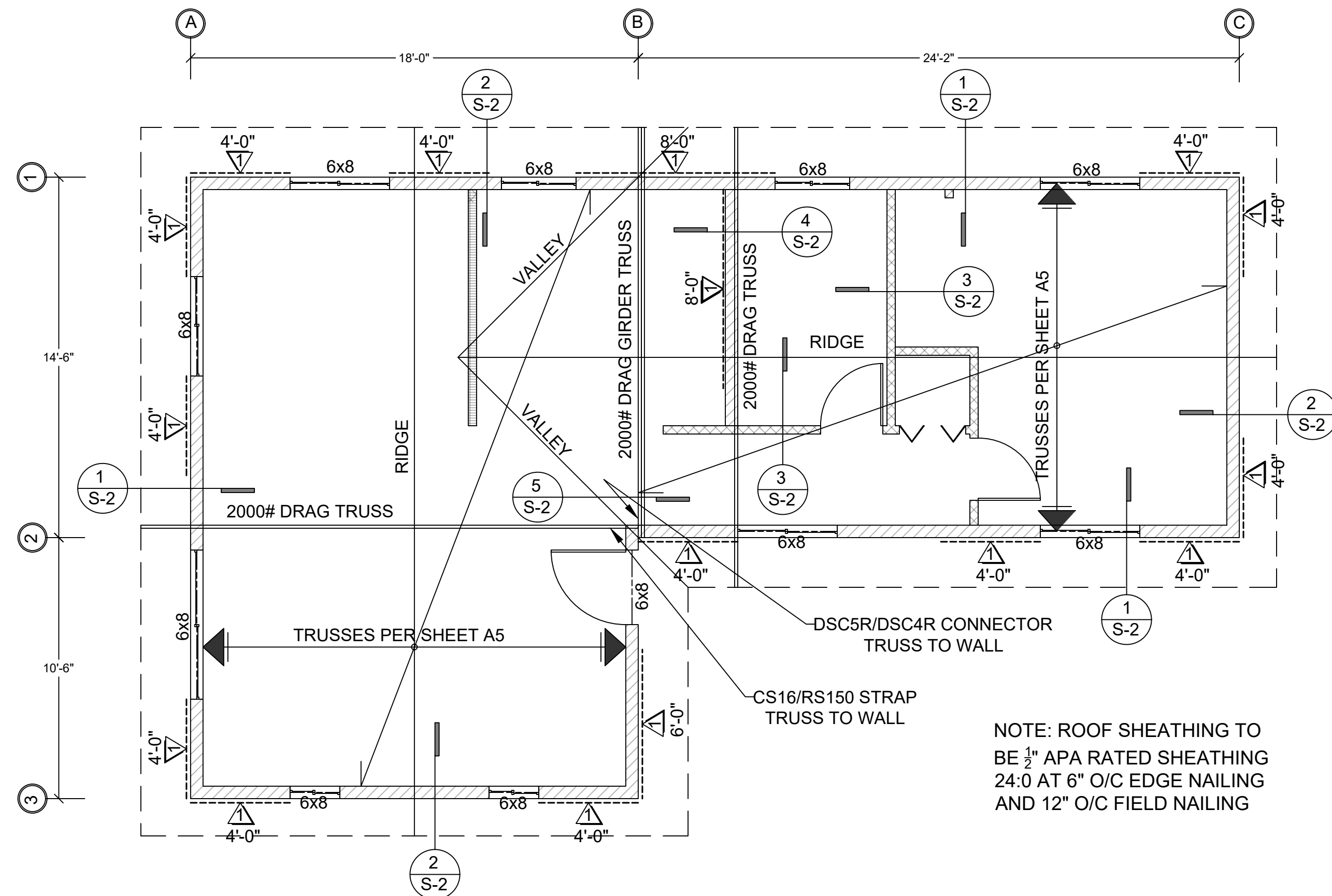
By using these standard plans, the user agrees to release the City of Vista and County of San Diego from any and all claims, liabilities, suits, and demands on account of any injury, damage, or loss to persons or property, including injury or death, or economic losses, arising out of the use of these construction documents. The use of these plans does not eliminate or reduce the user's responsibility to verify any and all information.

County of San Diego, Planning & Development Services
DWELLING UNIT (Plan E - 800 SF)
 BUILDING DIVISION

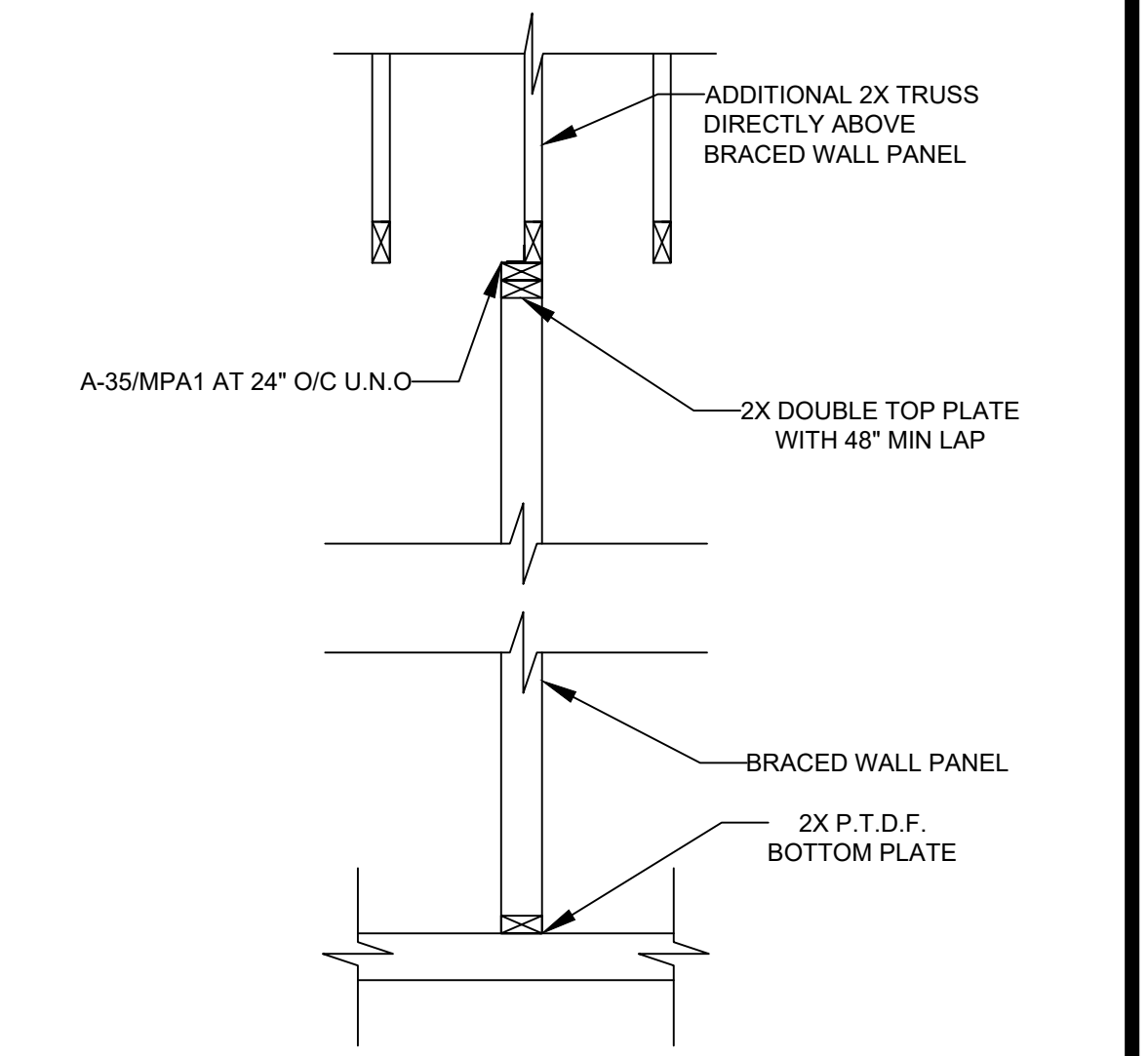


Sheet Number

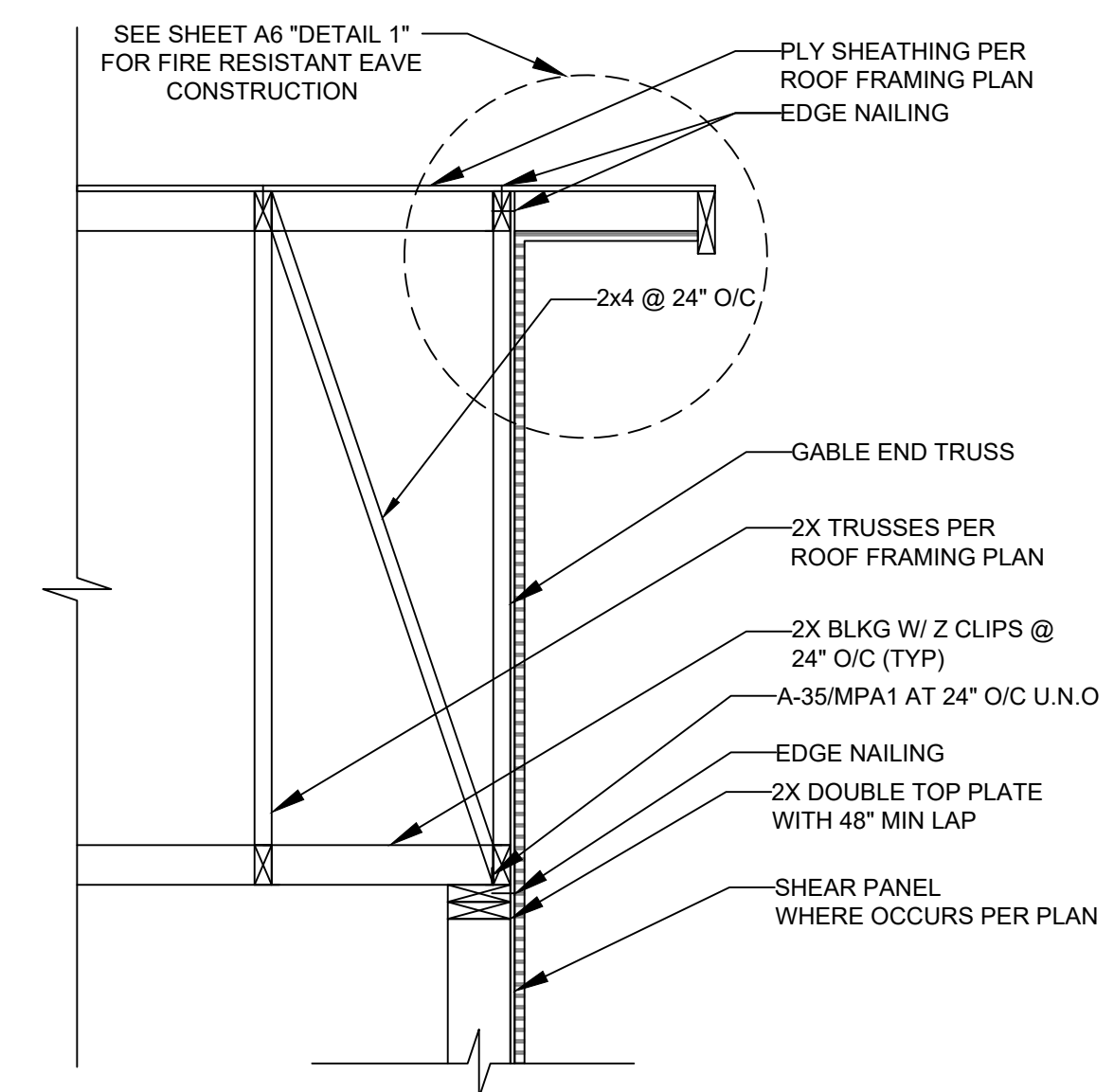
S1



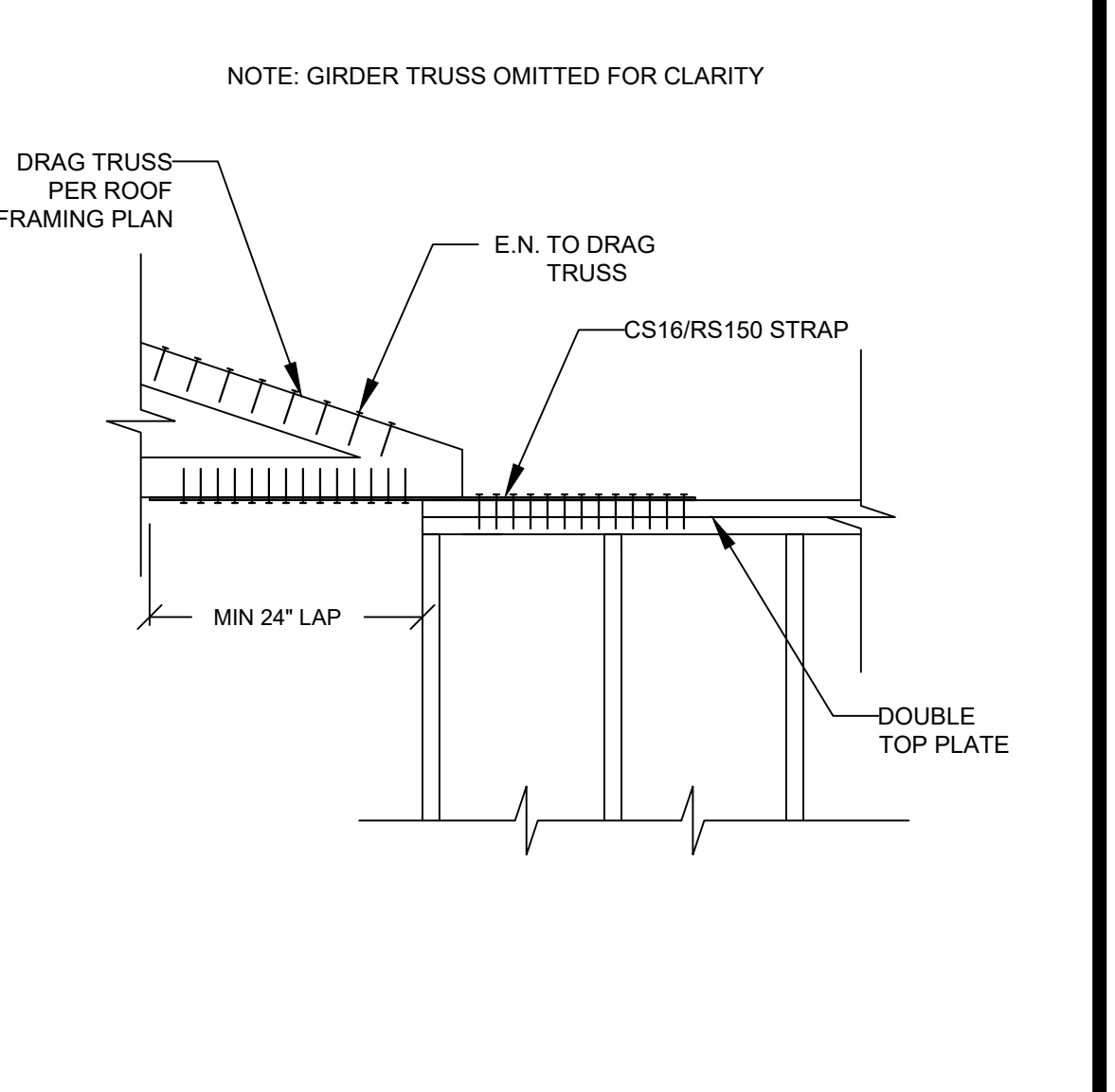
1 EAVE (SHEAR TRANSFER)



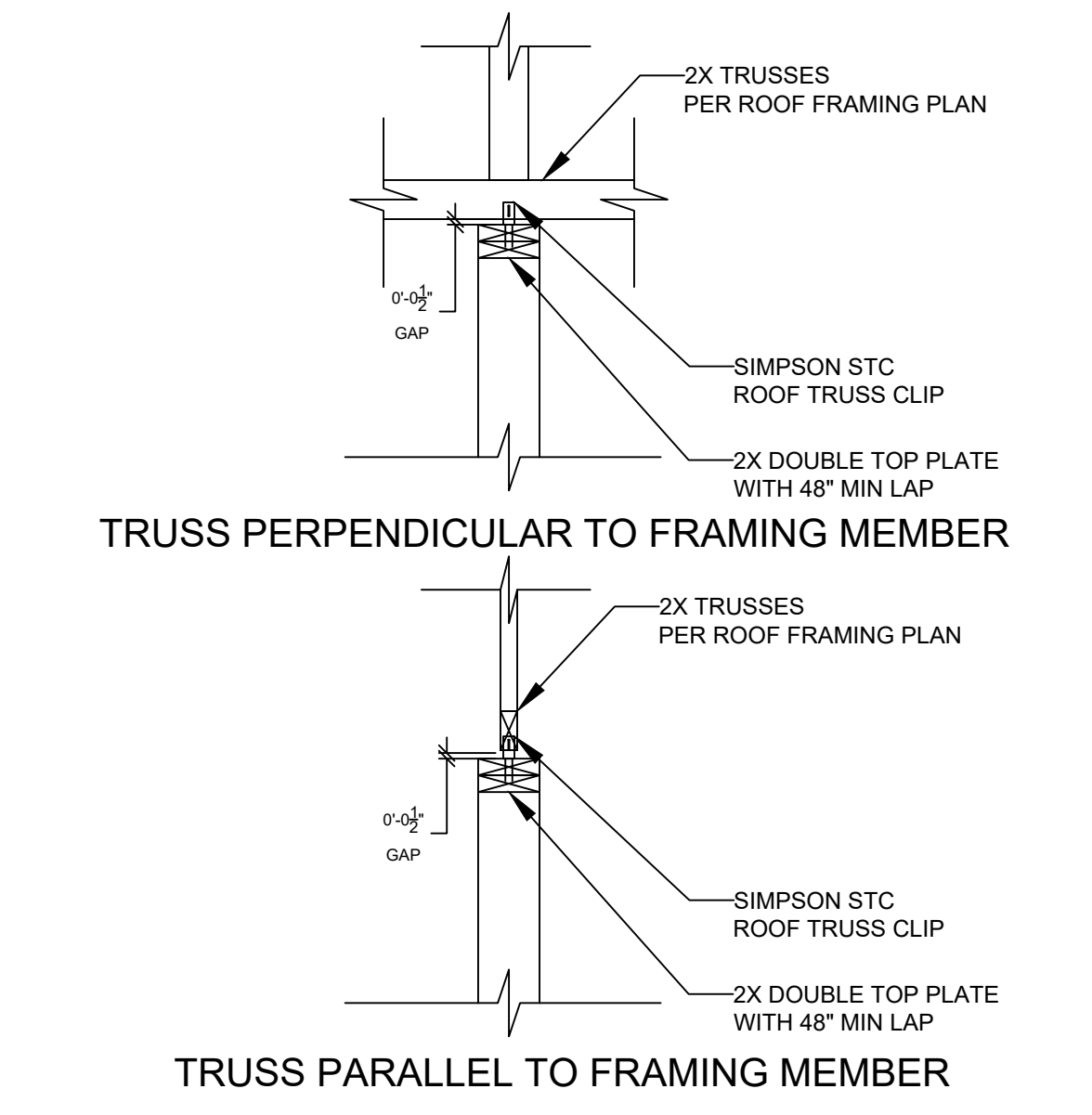
4 BRACED WALL PANEL PARALLEL TO CEILING FRAMING



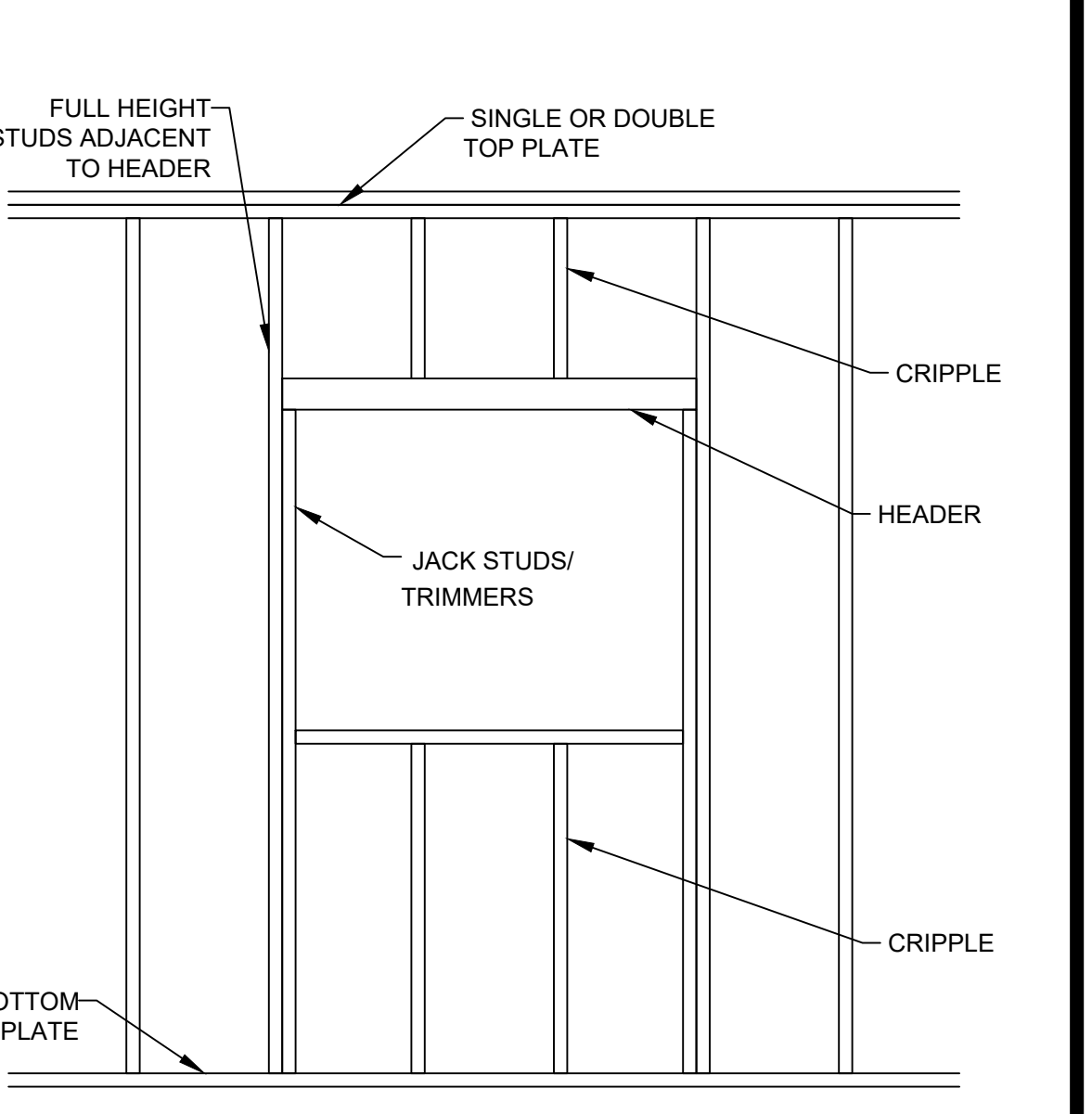
2 GABLE-END (SHEAR TRANSFER)



5 DRAG TRUSS CONNECTION



3 NON-BEARING WALL



6 TYPICAL FRAMING AT OPENING

WOOD STRUCTURAL PANEL SHEATHING							
MARK	MINIMUM NAIL		MINIMUM WOOD STRUCTURAL PANEL SPAN RATING	MINIMUM NOMINAL PANEL THICKNESS (in)	MAXIMUM WALL STUD SPACING (in)	PANEL NAIL SPACING	
	SIZE	PENETRATION (in)				EDGES (inches o/c)	FIELD (inches o/c)
1	6D COMMON	1.5	24:0	3/8"	16	6	12
	8D COMMON	1.75	24:16	7/16"	16	6	12

WOOD STRUCTURAL PANELS SHALL CONFORM TO DOC PS 1, DOC PS 2 OR ANSI/APA PRP 210, CSA O437 OR CSA O325. PANELS SHALL BE IDENTIFIED BY A GRADE MARK OR CERTIFICATE OF INSPECTION ISSUED BY AN APPROVED AGENCY

VERTICAL JOINTS OF PANEL SHEATHING SHALL OCCUR OVER AND BE FASTENED TO COMMON STUDS. HORIZONTAL JOINTS IN BRACED WALL PANELS SHALL OCCUR OVER AND BE FASTENED TO COMMON BLOCKING OF A MINIMUM 1 1/2 INCH THICKNESS.

By using these standard plans, the user agrees to release the City of Vista and County of San Diego from any and all claims, liabilities, suits, and demands on account of any injury, damage, or loss to persons or property, including injury or death, or economic losses, arising out of the use of these construction documents. The use of these plans does not eliminate or reduce the user's responsibility to verify any and all information.

County of San Diego, Planning & Development Services
DWELLING UNIT (Plan E - 800 SF)
 BUILDING DIVISION



Sheet Number

S2