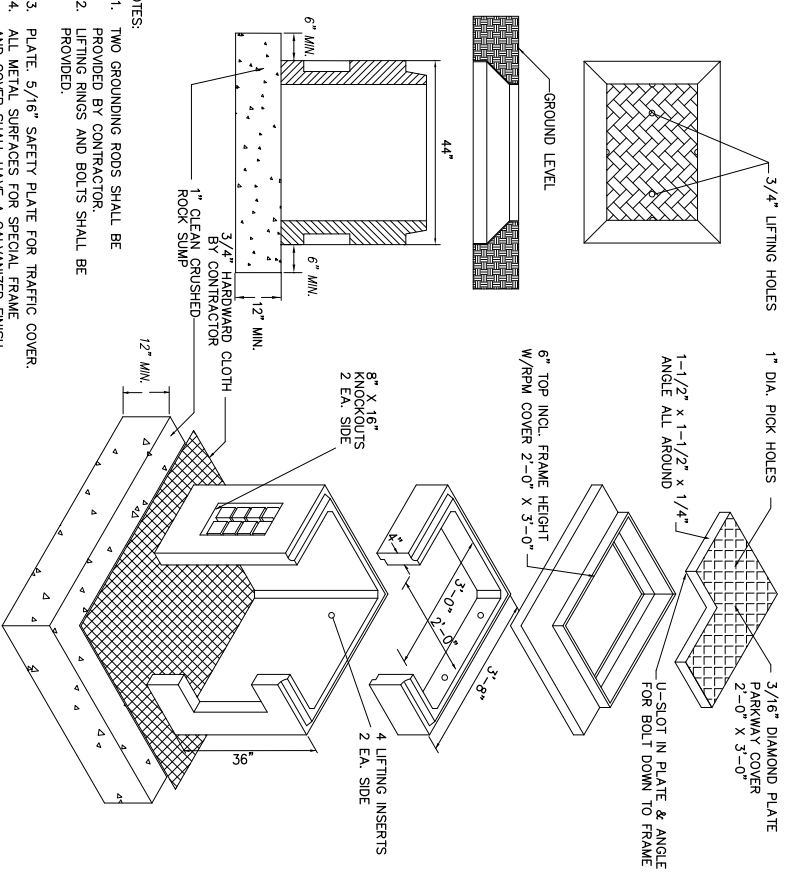
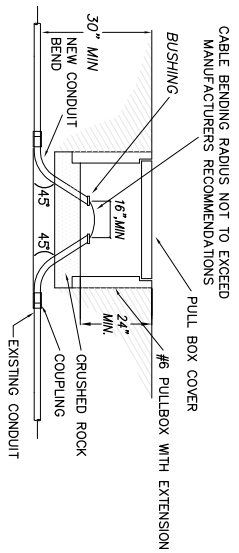


TRAFFIC SIGNAL INTERCONNECT DETAILS FOR  
XXXXXXXXXXXXXXXXXXXX



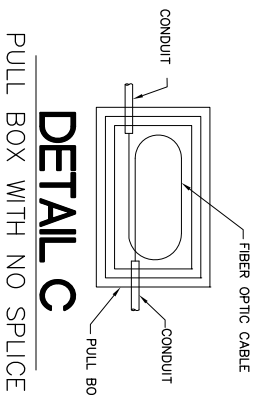
**DETAIL A**  
FIBER OPTIC SPLICE BOX

- NOTES:
1. TWO GROUNDING RODS SHALL BE PROVIDED BY CONTRACTOR.
  2. LIFTING RINGS AND BOLTS SHALL BE PROVIDED.
  3. PLATE: 5/16" SAFETY PLATE FOR TRAFFIC COVER.
  4. ALL METAL SURFACES FOR SPECIAL FRAME AND COVER SHALL HAVE A GALVANIZED FINISH.
  5. ALL WELDING, MACHINE AND DRILLING SHALL BE DONE BEFORE GALVANIZING.
  6. PLUG THREADS MUST BE GREASED THOROUGHLY PRIOR TO INSTALLATION.



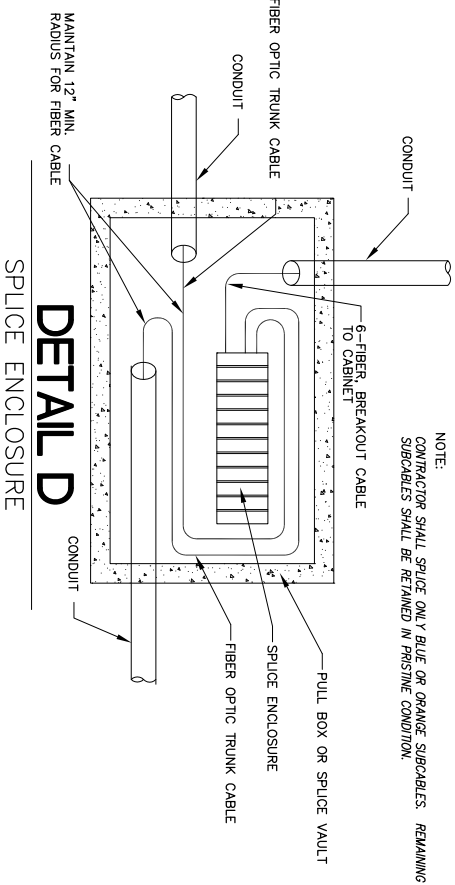
**DETAIL B**  
NO. 6E PULL BOX INSTALLATION

- NOTES:
1. DIMENSIONS VARY ACCORDING TO SIZE OF CONDUIT ETC. BUT THE MINIMUM BEND RADIUS OF SIX TIMES THE CONDUIT DIAMETER FOR ALL CONDUITS.
  2. ALL BENDS SHALL BE FACTORY BENDS.
  3. CONTRACTOR SHALL ADAPT CONDUIT STUBOUTS FOR SPECIFIC PROJECT REQUIREMENTS.
  4. PROVIDE ONE FULL WRAP OF CABLE AT ALL PULL BOXES, EXCEPT NO. 3 PULL BOXES.

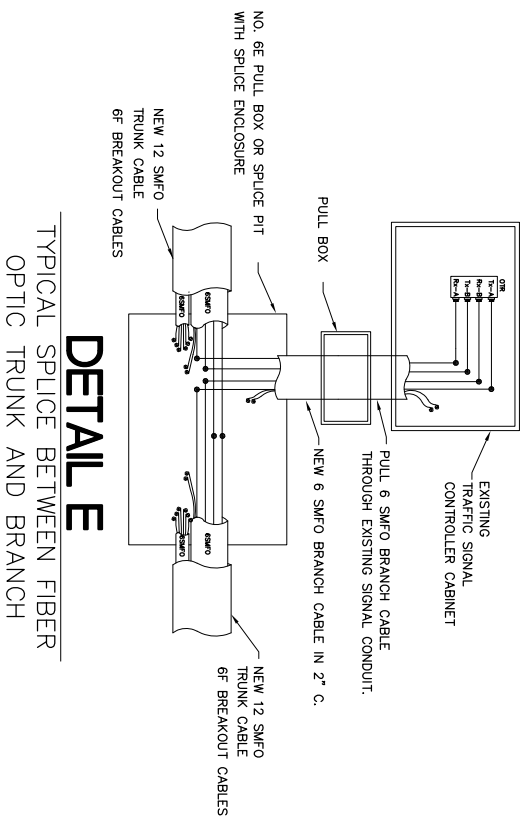


**DETAIL C**  
PULL BOX WITH NO SPLICE

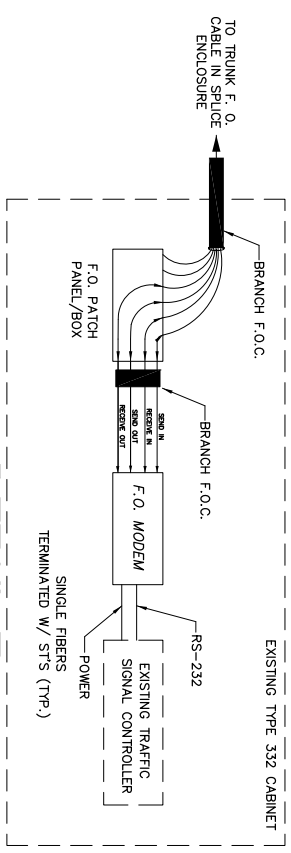
NOTE:  
CONTRACTOR SHALL SPLICE ONLY BLUE OR ORANGE SIBERCABLES. REMAINING SIBERCABLES SHALL BE RETAINED IN FRISHINE CONDUIT.



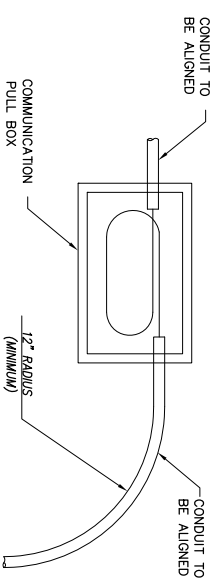
**DETAIL D**  
TYPICAL SPLICE BETWEEN FIBER OPTIC TRUNK AND BRANCH



**DETAIL E**  
TYPICAL SPLICE BETWEEN FIBER OPTIC TRUNK AND BRANCH

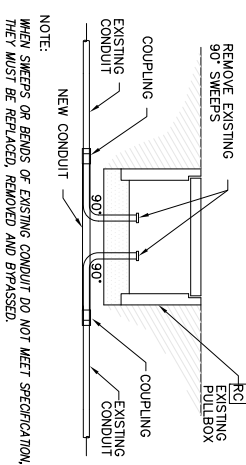


**DETAIL F**  
TYPICAL CABINET BI-TRAN QUICNET SYSTEM



**DETAIL G**  
TYPICAL MINIMUM BENDING RADIUS

NO LOOPS SHALL BE PLACED FOR NO. 3 PULL BOX



**DETAIL H**  
EXISTING PULL BOX BYPASS

NOT TO SCALE

NOTE:  
REMOVE THESE FOUR BOXES IF THIS SHEET IS NOT THE FIRST SHEET IN THE PLAN SET.

- NOTES:
1. DIMENSIONS VARY ACCORDING TO SIZE OF CONDUIT ETC. BUT THE MINIMUM BEND RADIUS OF SIX TIMES THE CONDUIT DIAMETER FOR ALL CONDUITS.
  2. ALL BENDS SHALL BE FACTORY BENDS.
  3. CONTRACTOR SHALL ADAPT CONDUIT STUBOUTS FOR SPECIFIC PROJECT REQUIREMENTS.
  4. PROVIDE ONE FULL WRAP OF CABLE AT ALL PULL BOXES, EXCEPT NO. 3 PULL BOXES.

**UNDERGROUND SERVICE ALERT**

SECTION 4216 & 4217 OF THE GOVERNMENT CODE REQUIRES A DIG ALERT IDENTIFICATION NUMBER BE ISSUED BEFORE A PERMIT TO EXCAVATE WILL BE VALID. FOR YOUR DIG ALERT I.D. NUMBER CALL UNDERGROUND SERVICE ALERT AT 811 TWO (2) MORNING DAY BEFORE YOU DIG.  
WEB ADDRESS: [www.digalert.org](http://www.digalert.org) or [www.call811.com](http://www.call811.com)

Revised - 7/2/2020 4:20:54 PM :: Saved - 8/24/2017 3:51:48 PM :: G:\Engineering\Department Only\Traffic Signal\Title Sheets\Title Sheets\AutoCAD\Traffic Signal Interconnect Details Title Profile 2017.dwg :: Modified

**CITY OF VISTA FIRE DEPARTMENT**  
APPROVED \_\_\_\_\_ DATE \_\_\_\_\_

**VISTA IRRIGATION DISTRICT**  
APPROVED \_\_\_\_\_ DATE \_\_\_\_\_

**CITY OF VISTA SANITATION DEPARTMENT**  
BASIN:  
APPROVED \_\_\_\_\_ DATE \_\_\_\_\_

NO.	DESCRIPTION	APPROVED CHANGES	CITY	DATE	WD	DATE

**ENGINEER OF WORK**

ENGINEER OF WORK \_\_\_\_\_ LIC# \_\_\_\_\_ EXP. DATE \_\_\_\_\_ DATE \_\_\_\_\_

**PLACE STAMP HERE**

**CITY OF VISTA**

TRAFFIC SIGNAL PLANS FOR: XXXXXXXXXXXXXXXXXXXX

TITLE SHEET  
APPROVED \_\_\_\_\_ 5/50/75 06/30/18 DATE  
CITY ENGINEER \_\_\_\_\_ RCE EXPRES DATE  
BENCHMARK: \_\_\_\_\_ SHEET X OF XX  
DWG-XXXX

INSPECTION PRIORITY: "AS BUILT"  
REMOVED BY: \_\_\_\_\_ DATE \_\_\_\_\_  
INSPECTOR: \_\_\_\_\_ DATE \_\_\_\_\_

THIS PLAN IS VALID FOR 2 YEARS FROM APPROVAL  
STORM WATER